

**φ172mm**

# San Ace 172



## General Specifications

- Material ..... Frame: Aluminum, Impeller: Plastics (Flammability: UL94V-1)
- Expected Life ..... Refer to specifications (L10:Survival rate:90% at 60°C ,  
rated voltage, and continuously run in a free air state)
- Lead Wire ..... ⊕red ⊖black or blue (Sensor) yellow
- Storage Temperature ..... -30°C to +70°C (Non-condensing)

**φ172mm×51mm** (Mass : 780g) **9E type Round type**

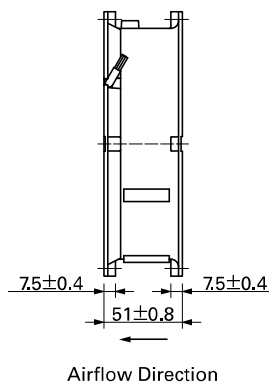
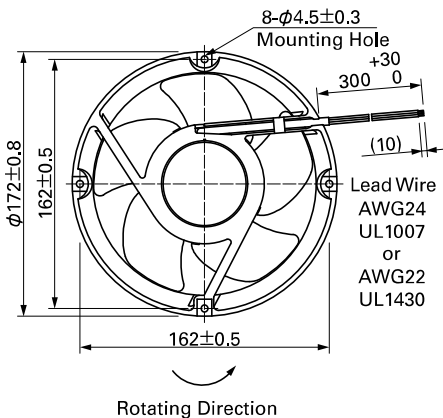
## Specifications

The following nos. have pulse sensors.

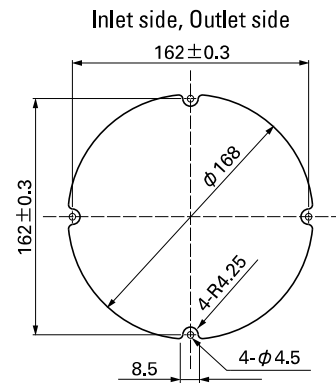
Model No.	Rated Voltage [V]	Operating Voltage Range [V]	Rated Current [A]	Rated Input [W]	Rated Speed [min <sup>-1</sup> ]	Max. Airflow [m <sup>3</sup> /min] [CFM]	Max. Static Pressure [Pa] [inchH <sub>2</sub> O]	SPL [dB(A)]	Operating Temperature [°C]	Expected Life [h]
109E1712K501	12	10.2 to 13.8	2.9	34.8	4,100	8.5 300	243.0 0.976	55	-20 to +60	40,000/60°C
109E1712Y501			2.3	27.6	3,800	7.8 276	210.0 0.843	53		
109E1712H501			1.2	14.4	3,050	6.4 226	137.2 0.551	47		
109E1712F501			0.9	10.8	2,500	5.1 180	95.0 0.382	42		
109E1712M501			0.48	5.76	2,000	4.2 148	67.6 0.271	36		
109E1724C501	24	20.4 to 27.6	2.3	55.2	4,800	9.9 350	308.0 1.237	60		
109E1724K501			1.3	31.2	4,100	8.5 300	243.0 0.976	55		
109E1724H501			0.58	13.92	3,050	6.4 226	137.2 0.551	47		
109E1724F501			0.35	8.4	2,500	5.1 180	95 0.382	42		
109E1724M501			0.2	4.8	2,000	4.2 148	67.6 0.271	36		
109E1748C501	48	40.8 to 55.2	1.2	57.6	4,800	9.9 350	308.0 1.237	60	-20 to +60	
109E1748K501			0.7	33.6	4,100	8.5 300	243.0 0.976	55	-20 to +70	
109E1748H501			0.28	13.44	3,050	6.4 226	137.2 0.551	47	-20 to +60	
109E1748F501			0.19	9.12	2,500	5.1 180	95 0.382	42	-20 to +60	
109E1748M501			0.11	5.28	2,000	4.2 148	67.6 0.271	36	-20 to +70	

Other sensor specifications are available as options. Please refer to the index (p. 495).

## Dimensions (unit: mm)



## Reference Dimensions of Mounting Holes and Vent Opening (unit: mm)

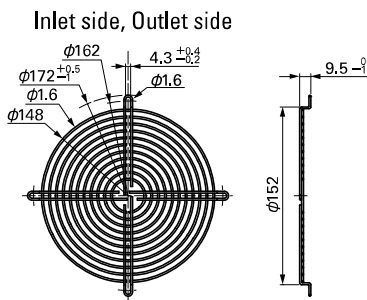


## Options (unit: mm)

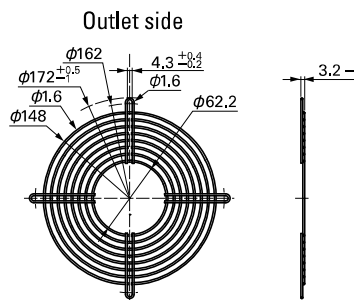
### Finger Guards

Model : 109-1066 Surface treatment : Nickel-chrome plating (silver) Color

Model : 109-1068 Surface treatment : Nickel-chrome plating (silver) Color



Mass : 61g



Mass : 54g

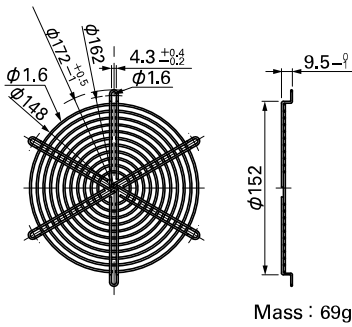
**Options (unit: mm)**

**Finger Guards**

Color  
 Model : 109-319E Surface treatment : Nickel-chrome plating (silver)  
 : 109-319H : Cation electropainting (black)

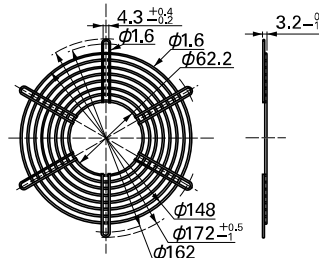
Color  
 Model : 109-320 Surface treatment : Nickel-chrome plating (silver)

Inlet side, Outlet side



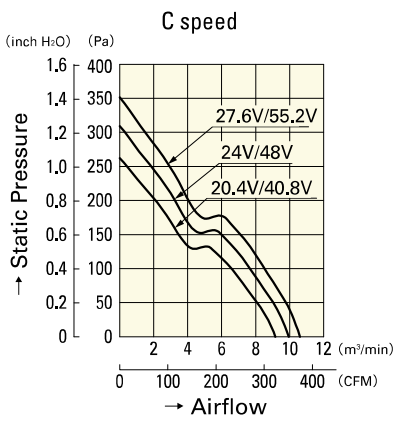
Mass : 69g

Outlet side

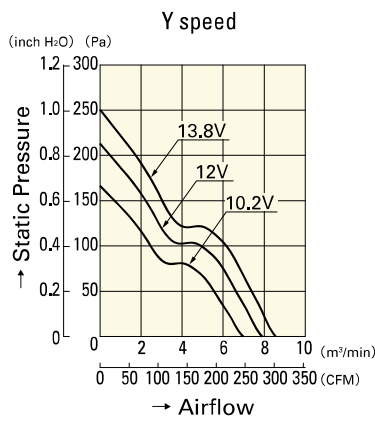


Mass : 53g

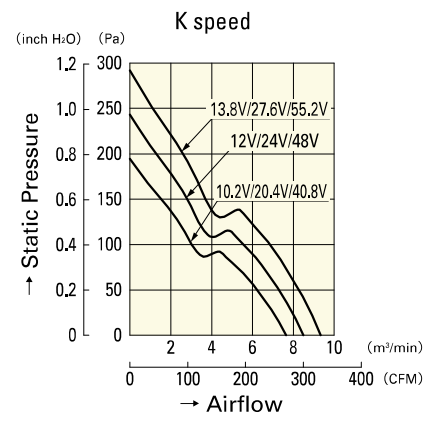
**Airflow - Static Pressure Characteristics**



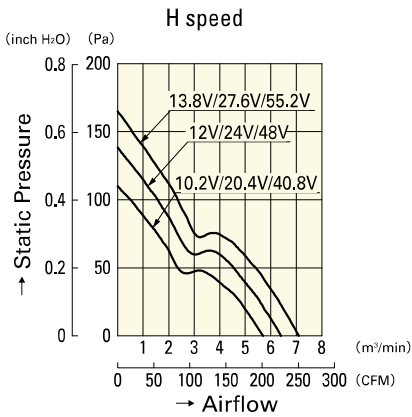
**109E1724C501**  
**109E1748C501**



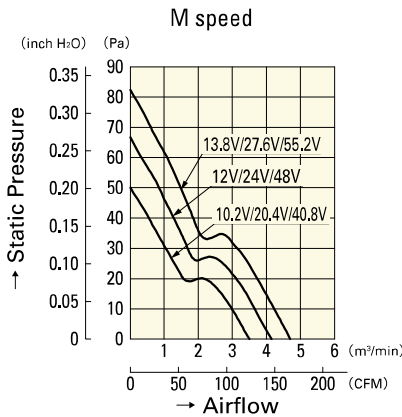
**109E1712Y501**



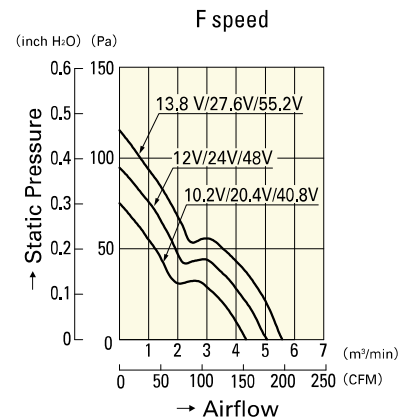
**109E1712K501**  
**109E1724K501**  
**109E1748K501**



**109E1712H501**  
**109E1724H501**  
**109E1748H501**



**109E1712M501**  
**109E1724M501**  
**109E1748M501**



**109E1712F501**  
**109E1724F501**  
**109E1748F501**