

φ200mm

San Ace 200



General Specifications

- Material: Frame: Aluminum, Impeller: Plastics (Flammability: UL94V-1)
- Expected Life: Refer to specifications (L10:Survival rate:90% at 60°C, rated voltage, and continuously run in a free air state)
- Lead Wire: ⊕red ⊖black (Sensor) yellow (Control) brown
- Storage Temperature: -30°C to +70°C (Non-condensing)

Power on when current is shut off. Do not power on 15s or more after power off.

φ200mm×70mm (Mass : 1800g) **9GV type**

Specifications

The following nos. **have PWM controls and pulse sensors.**

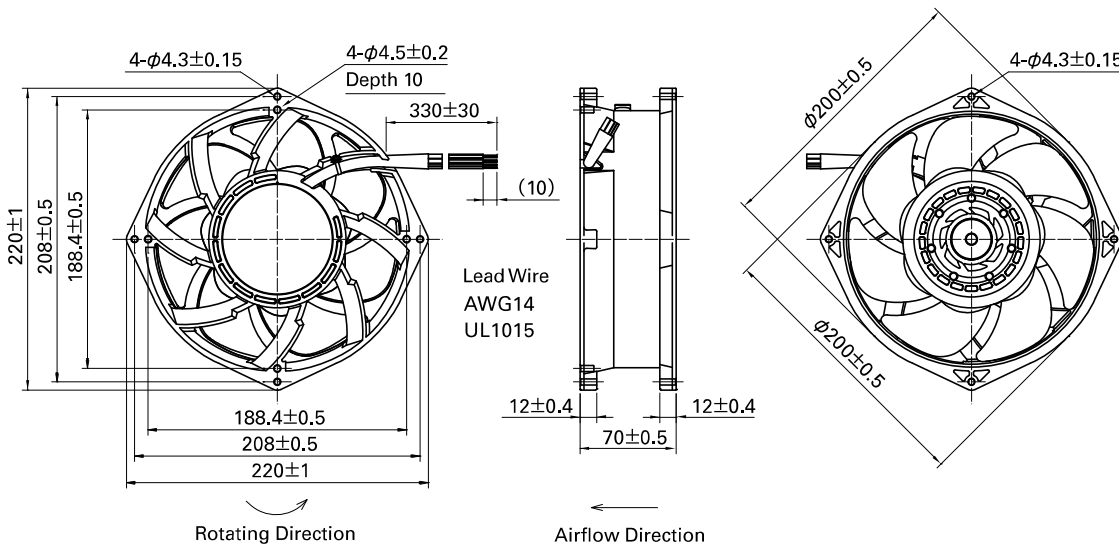
Model No.	Rated Voltage [V]	Operating Voltage Range [V]	PWM duty cycle* [%]	Rated Current [A]	Rated Input [W]	Rated Speed [min ⁻¹]	Max. Airflow [m ³ /min] [CFM]	Max. Static Pressure [Pa] [inchH ₂ O]	SPL [dB(A)]	Operating Temperature [°C]	Expected Life [h]
9GV2048P0G201 ^{Note)}	48	36 to 72	100	12.5	600	8,000	31.5 1,112	1,400 5.62	81	-20 to +70	40,000/60°C (70,000/40°C)

Note: Fan does not rotate when PWM duty cycle is 0%.

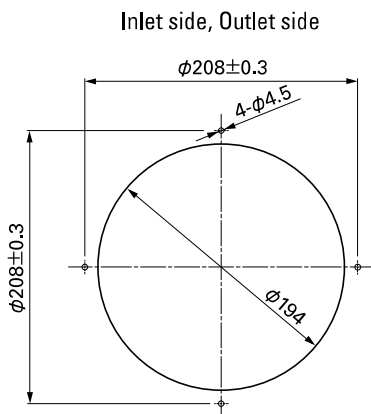
※PWM Frequency : 1kHz

Other sensor specifications are available as options. Please refer to the index (p. 508).

Dimensions (unit: mm)



Reference Dimensions of Mounting Holes and Vent Opening (unit: mm)

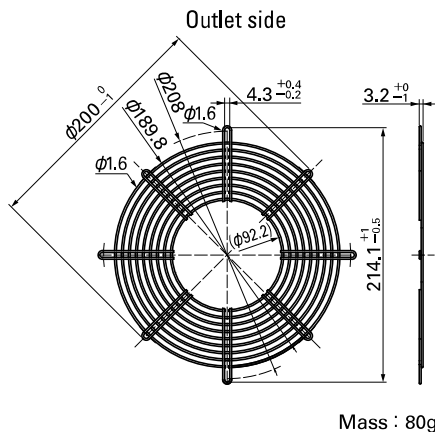
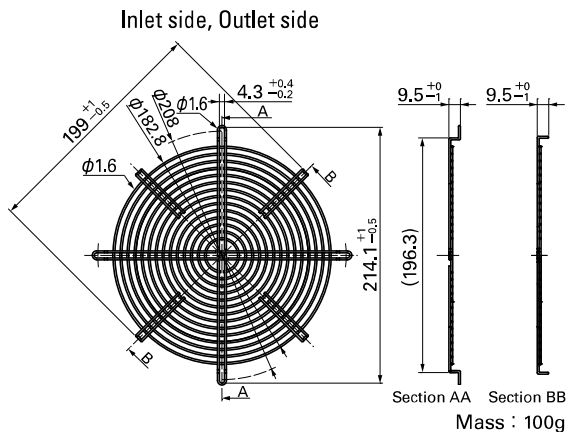


Options (unit: mm)

Finger Guards

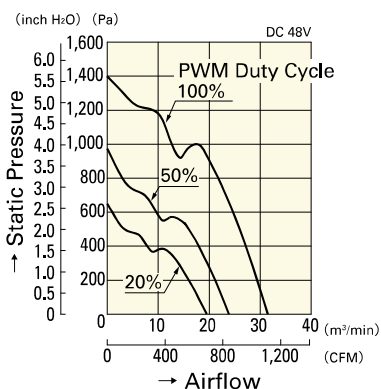
Model : 109-1102 Surface treatment : Nickel-chrome plating (silver) Color

Model : 109-1103 Surface treatment : Nickel-chrome plating (silver) Color



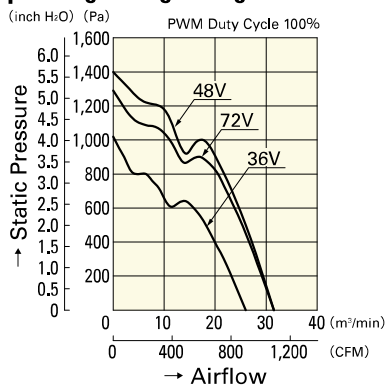
Airflow - Static Pressure Characteristics

PWM Duty Cycle



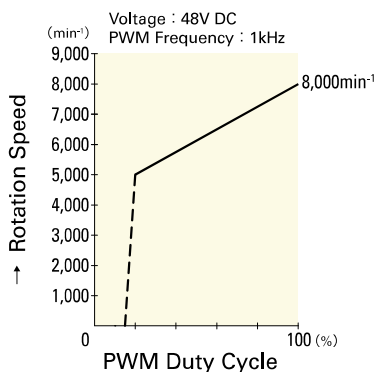
9GV2048P0G201

Operating Voltage Range



9GV2048P0G201

PWM Duty - Speed Characteristics Example



9GV2048P0G201