

36 mm sq.

San Ace 36



General Specifications

- Material Frame: Plastics (Flammability: UL94V-0),
Impeller: Plastics (Flammability: UL94V-1)
- Expected Life Refer to specifications (L10:Survival rate:90% at 60°C ,
rated voltage, and continuously run in a free air state)
- Lead Wire ⊕red ⊖black (Sensor) yellow (Control) brown
(For models without PWM control function, there is no
speed control wiring.)
- Storage Temperature -20°C to +70°C (Non-condensing)

36×36×28mm (Mass : 46g) **9GX type** **9GV type**

Specifications The following nos. have PWM controls, pulse sensors, and ribs.

Model No.	Rated Voltage [V]	Operating Voltage Range [V]	PWM duty cycle* [%]	Rated Current [A]	Rated Input [W]	Rated Speed [min ⁻¹]	Max. Airflow [m ³ /min] [CFM]	Max. Static Pressure [Pa] [inchH ₂ O]	SPL [dB(A)]	Operating Temperature [°C]	Expected Life [h]
9GX3612P3K001	12	10.8 to 13.2	100	1.3	15.6	24,000	0.69 24.4	838 3.367	66	-10 to +60	40,000/60°C (70,000/40°C)
			0	0.07	0.84	3,200	0.09 3.2	14.0 0.056	32		

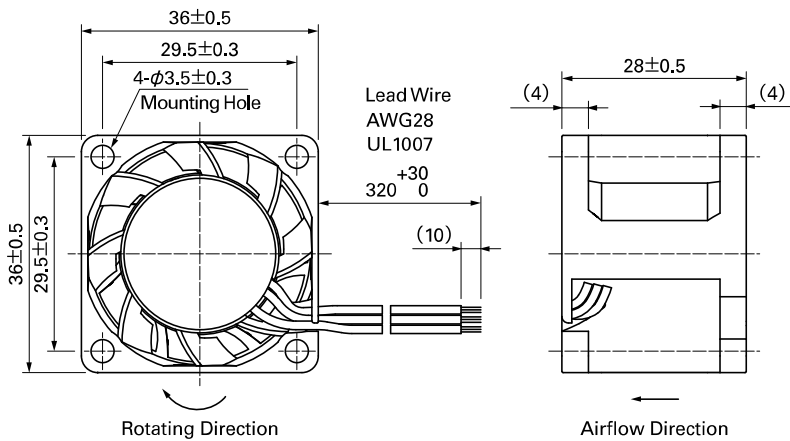
*PWM Frequency : 25kHz

Specifications The following nos. have pulse sensors and ribs.

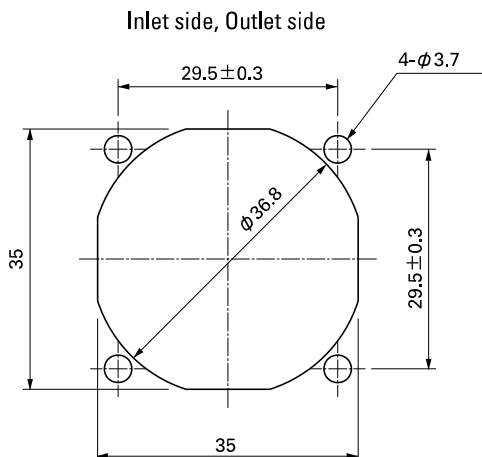
Other sensor specifications are available as options. Please refer to the index (p. 508).

Model No.	Rated Voltage [V]	Operating Voltage Range [V]	Rated Current [A]	Rated Input [W]	Rated Speed [min ⁻¹]	Max. Airflow [m ³ /min] [CFM]	Max. Static Pressure [Pa] [inchH ₂ O]	SPL [dB(A)]	Operating Temperature [°C]	Expected Life [h]
9GV3612J301	12	7.0 to 13.2	0.75	9.0	19,000	0.55 19.4	525 2.108	58.5	-20 to +60	40,000/60°C
9GV3612G301			0.34	4.08	14,000	0.40 14.1	275 1.104	52.0		

Dimensions (unit: mm) (With pulse sensor)



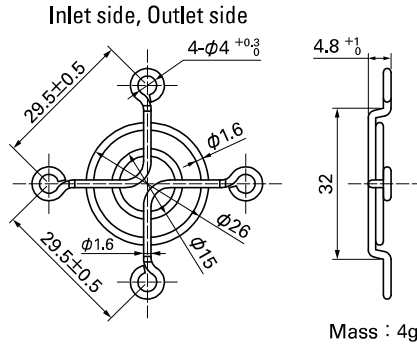
Reference Dimensions of Mounting Holes and Vent Opening (unit: mm)



Options (unit: mm)

Finger Guards

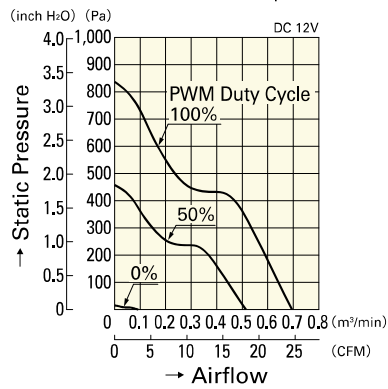
Model : 109-1050 Surface treatment : Nickel-chrome plating (silver) Color



Airflow - Static Pressure Characteristics

PWM Duty Cycle

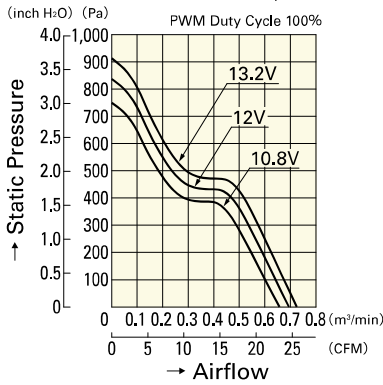
With PWM control function · With pulse sensor



9GX3612P3K001

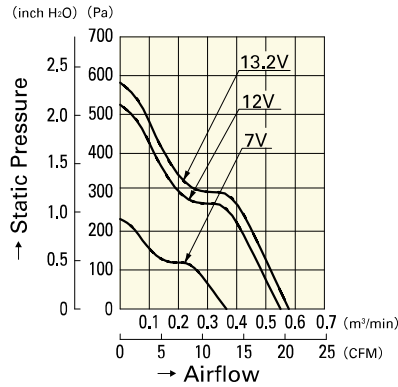
Operating Voltage Range

With PWM control function · With pulse sensor



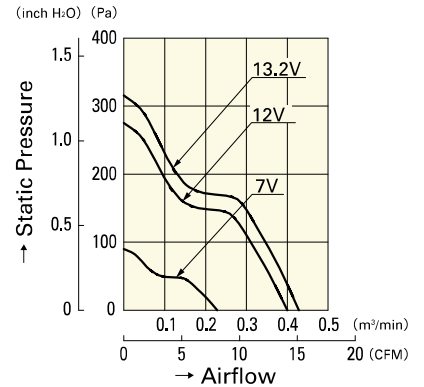
9GX3612P3K001

J speed



9GV3612J301

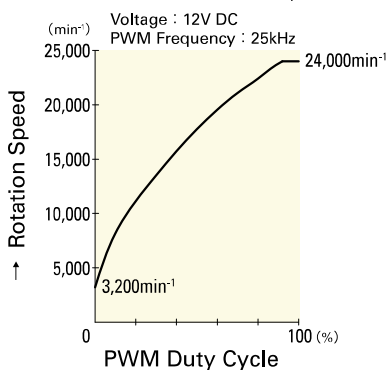
G speed



9GV3612G301

PWM Duty - Speed Characteristics Example

With PWM control function · With pulse sensor



9GX3612P3K001