

38 mm sq.

San Ace 38



General Specifications

- Material Frame: Plastics (Flammability: UL94V-0),
Impeller: Plastics (Flammability: UL94V-1)
- Expected Life Refer to specifications (L10:Survival rate:90% at 60°C ,
rated voltage, and continuously run in a free air state)
- Lead Wire ⊕red ⊖black (Sensor) yellow
- Storage Temperature -20°C to +70°C (Non-condensing)

38×38×28mm (Mass : 50g) **9GV type**

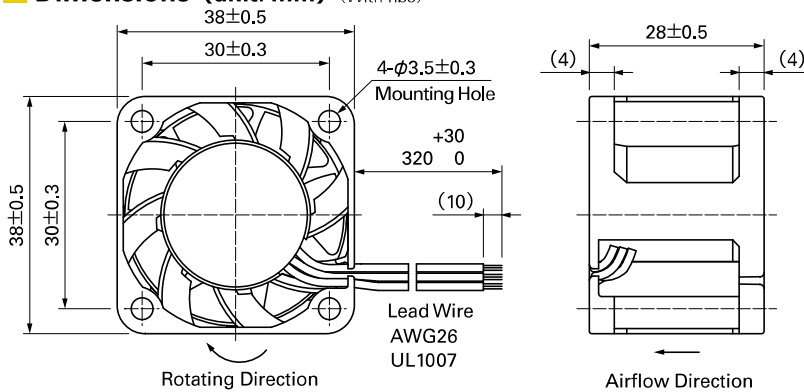
Specifications

The following nos. **have pulse sensors and ribs**. For ribless, append "1" to the model no.

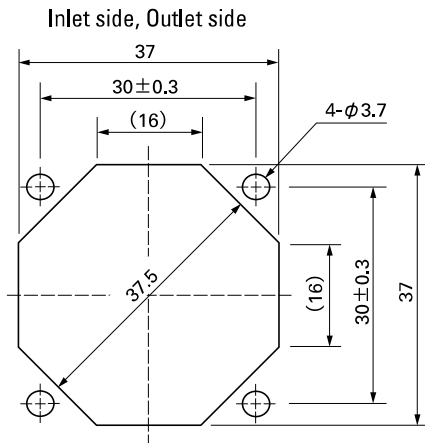
Model No.	Rated Voltage [V]	Operating Voltage Range [V]	Rated Current [A]	Rated Input [W]	Rated Speed [min ⁻¹]	Max. Airflow [m ³ /min] [CFM]	Max. Static Pressure [Pa] [inchH ₂ O]	SPL [dB(A)]	Operating Temperature [°C]	Expected Life [h]
9GV0312K301	12	7 to 13.2	0.79	9.48	18,200	0.65 23	425 1.707	59	-20 to +60	40,000/60°C
9GV0312J301			0.6	7.2	15,900	0.57 20	315 1.265	54		
9GV0312G301			0.4	4.8	13,500	0.48 17	220 0.924	50		
9GV0312E301		4.5 to 13.2	0.21	2.52	10,500	0.37 13.1	130 0.522	43		
9GV0312H301			0.16	1.92	7,000	0.24 8.5	60 0.241	34		

Other sensor specifications are available as options. Please refer to the index (p. 507).

Dimensions (unit: mm) (With ribs)



Reference Dimensions of Mounting Holes and Vent Opening (unit: mm)

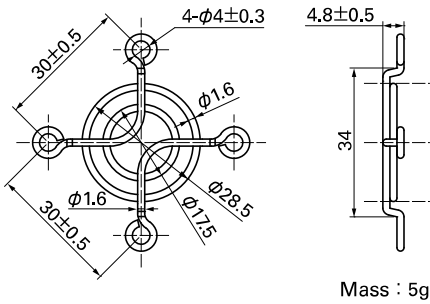


Options (unit: mm)

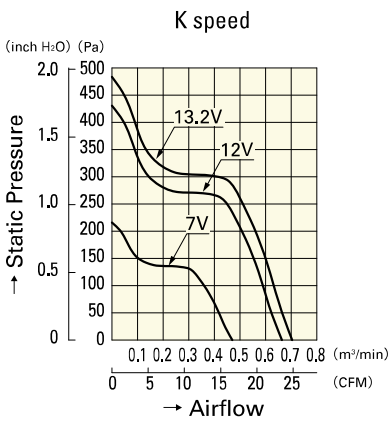
Finger Guards

Model : 109-1065 Surface treatment : Nickel-chrome plating (silver) Color

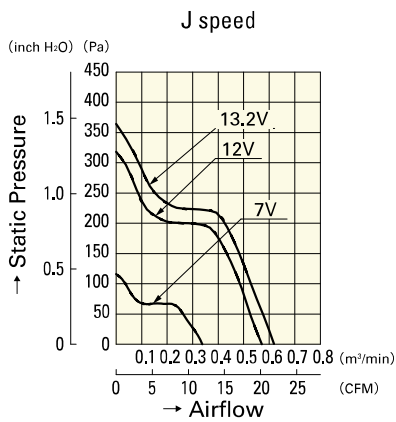
Inlet side, Outlet side



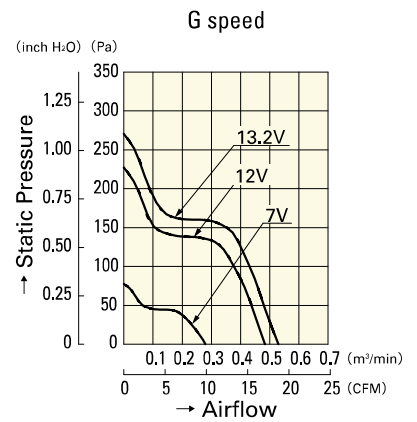
Airflow - Static Pressure Characteristics



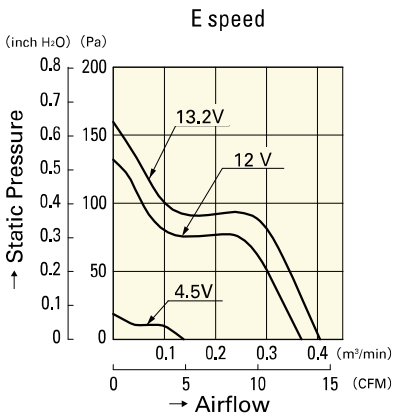
9GV0312K301



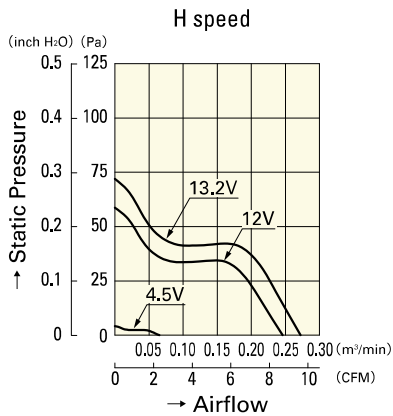
9GV0312J301



9GV0312G301



9GV0312E301



9GV0312H301