

40 mm sq.

San Ace 40



General Specifications

- Material Frame: Plastics (Flammability: UL94V-0),
Impeller: Plastics (Flammability: UL94V-1)
- Expected Life Refer to specifications (L10:Survival rate:90% at 60°C ,
rated voltage, and continuously run in a free air state)
- Lead Wire ⊕red ⊖black or blue (Sensor) yellow
- Storage Temperature -30°C to +70°C (Non-condensing)

40×40×10 mm (Mass : 19g) **9P** type

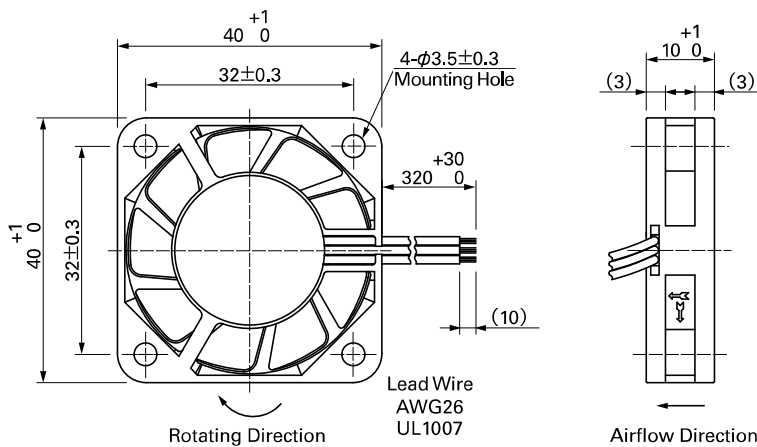
Specifications

The following nos. **have pulse sensors and ribs.**

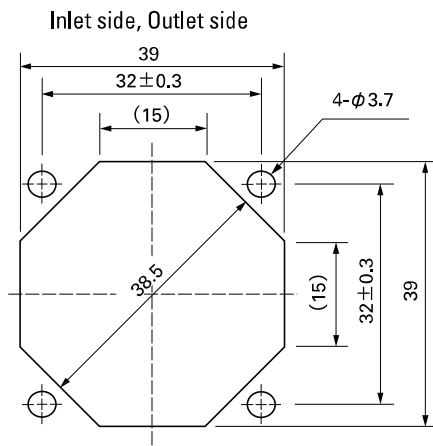
Model No.	Rated Voltage [V]	Operating Voltage Range [V]	Rated Current [A]	Rated Input [W]	Rated Speed [min ⁻¹]	Max. Airflow [m ³ /min] [CFM]	Max. Static Pressure [Pa] [inchH ₂ O]	SPL [dB(A)]	Operating Temperature [°C]	Expected Life [h]	
109P0405H901	5	4.5 to 5.5	0.16	0.8	6,200	0.15	5.3	41.2	0.165	-10 to +60	40,000/60°C
109P0405M901			0.11	0.55	5,000	0.12	4.2	27	0.108		
109P0412H901	12	7 to 13.8	0.07	0.84	6,200	0.15	5.3	41.2	0.165		
109P0412M901			0.06	0.72	5,000	0.12	4.2	27	0.108		

Other sensor specifications are available as options. Please refer to the index (pp. 496 to 497).

Dimensions (unit: mm)



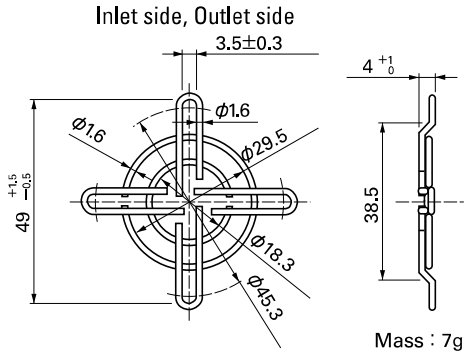
Reference Dimensions of Mounting Holes and Vent Opening (unit: mm)



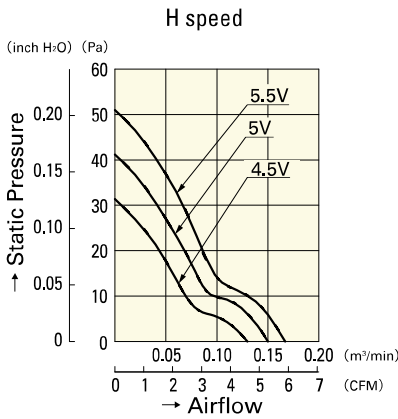
Options (unit: mm)

Finger Guards

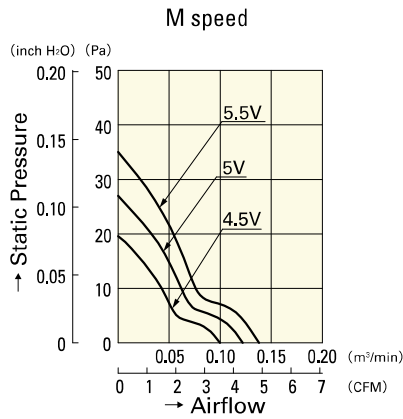
Model : 109-059 Surface treatment : Nickel-chrome plating (silver) Color
 : 109-059H : Cation electropainting (black)



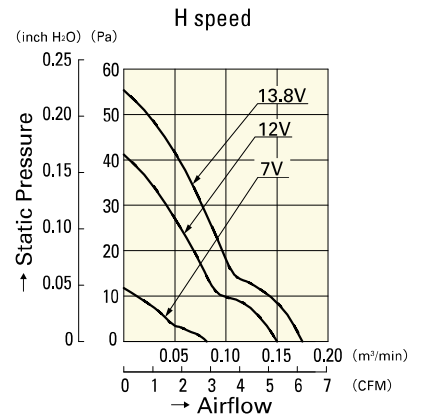
Airflow - Static Pressure Characteristics



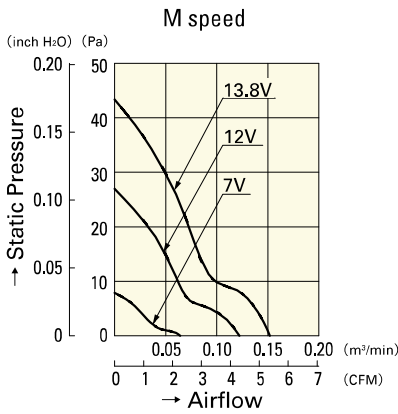
109P0405H901



109P0405M901



109P0412H901



109P0412M901