

40 mm sq.

San Ace 40



General Specifications

- Material Frame: Plastics (Flammability: UL94V-0),
Impeller: Plastics (Flammability: UL94V-0)
- Expected Life Refer to specifications (L10: Survival rate: 90% at 60°C ,
rated voltage, and continuously run in a free air state)
- Lead Wire ⊕red ⊖black (Sensor) yellow (Control) brown
(For models without PWM control function, there is no
speed control wiring.)
- Storage Temperature -30°C to +70°C (Non-condensing)

40×40×15mm (Mass : 28g) **9GA type** High Airflow Low Power Consumption Fan



Specifications

The following nos. **have PWM controls, pulse sensors, and ribs.**

Model No.	Rated Voltage [V]	Operating Voltage Range [V]	PWM duty cycle ^{Note①} [%]	Rated Current [A]	Rated Input [W]	Rated Speed [min ⁻¹]	Max. Airflow [m ³ /min] [CFM]	Max. Static Pressure [Pa] [inchH ₂ O]	SPL [dB(A)]	Operating Temperature [°C]	Expected Life [h]
9GA0412P7G001	12	10.2 to 13.8	100	0.17	2.04	13,100	0.36 12.7	192 0.77	42	-20 to +70	40,000/60°C (70,000/40°C)

Note: Fan does not rotate when PWM duty cycle is 0%.

※PWM Frequency : 25kHz

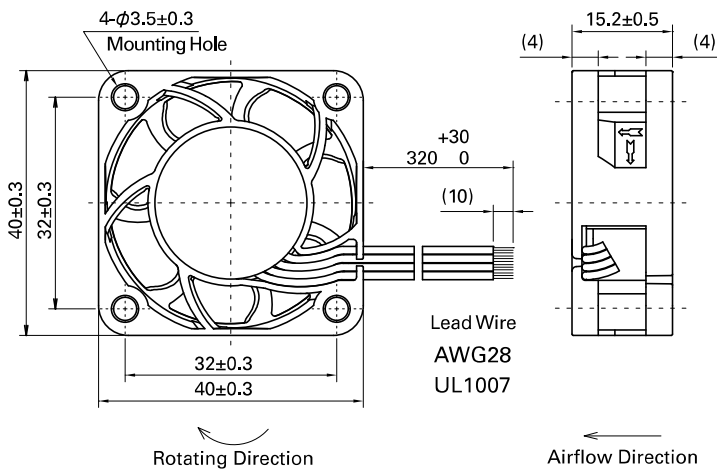
The following nos. **have pulse sensors and ribs.**

Model No.	Rated Voltage [V]	Operating Voltage Range [V]	Rated Current [A]	Rated Input [W]	Rated Speed [min ⁻¹]	Max. Airflow [m ³ /min] [CFM]	Max. Static Pressure [Pa] [inchH ₂ O]	SPL [dB(A)]	Operating Temperature [°C]	Expected Life [h]
9GA0412G7001	12	7 to 13.8	0.17	2.04	13,100	0.36 12.7	192 0.77	42	-20 to +70	40,000/60°C (70,000/40°C)
9GA0412H7001			0.06	0.72	7,300	0.2 7.1	59.6 0.24	28		

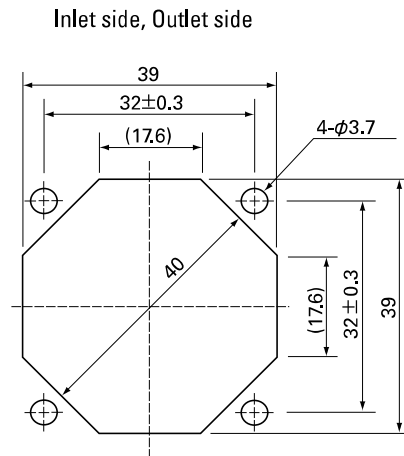
Other sensor specifications are available as options. Please refer to the index (p. 504).

Dimensions (unit: mm)

(With PWM control function · With pulse sensor)



Reference Dimensions of Mounting Holes and Vent Opening (unit: mm)

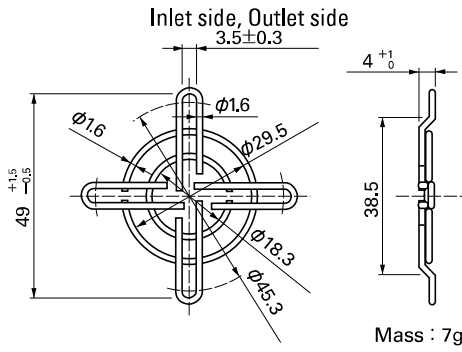


Options (unit: mm)

Finger Guards

Model : 109-059 Surface treatment : Nickel-chrome plating (silver)
 : 109-059H : Cation electropainting (black)

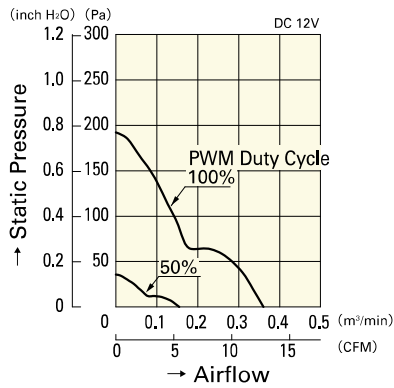
Color



Airflow - Static Pressure Characteristics

PWM Duty Cycle

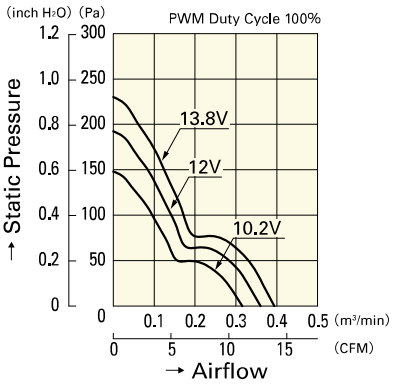
With PWM control function · With pulse sensor



9GA0412P7G001

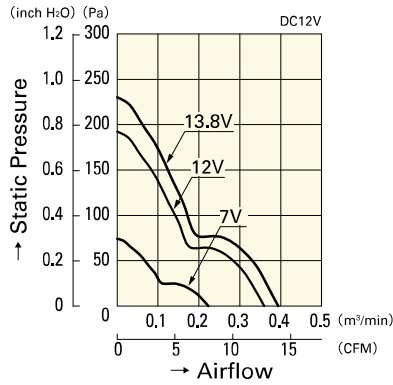
Operating Voltage Range

With PWM control function · With pulse sensor



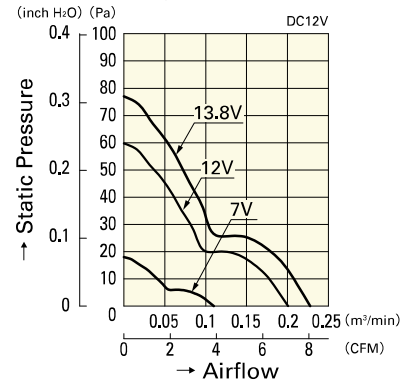
9GA0412P7G001

With pulse sensor



9GA0412G7001

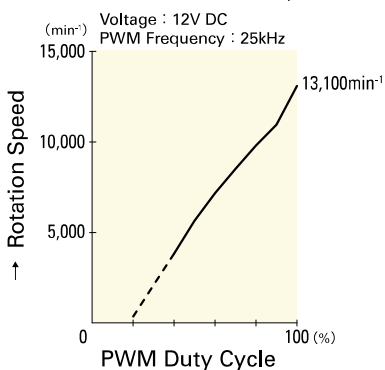
With pulse sensor



9GA0412H7001

PWM Duty - Speed Characteristics Example

With PWM control function · With pulse sensor



9GA0412P7G001