

40 mm sq.

San Ace 40



General Specifications

- Material Frame: Plastics (Flammability: UL94V-0),
Impeller: Plastics (Flammability: UL94V-0)
- Expected Life Refer to specifications (L10:Survival rate:90% at 60°C ,
rated voltage, and continuously run in a free air state)
- Lead Wire ⊕red ⊖black or blue (Sensor) yellow
- Storage Temperature -20°C to +70°C (Non-condensing)

40×40×28mm (Mass : 50g) **9GV type**

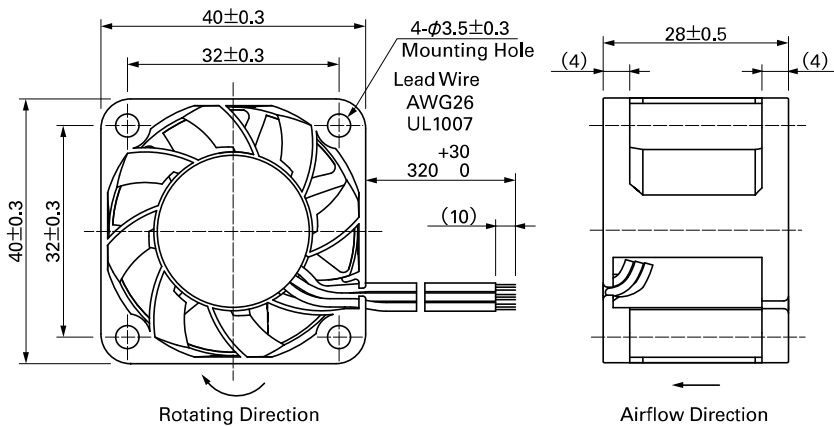
Specifications

The following nos. **have pulse sensors and ribs**. For ribless, append "1" to the model no.

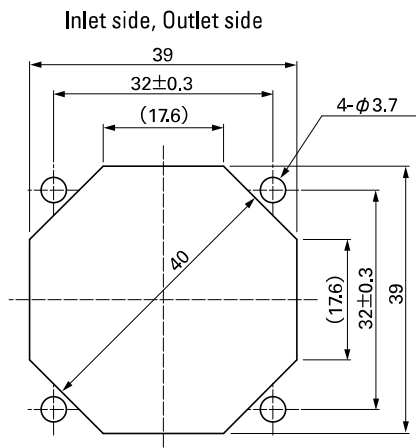
Model No.	Rated Voltage [V]	Operating Voltage Range [V]	Rated Current [A]	Rated Input [W]	Rated Speed [min ⁻¹]	Max. Airflow [m ³ /min] [CFM]	Max. Static Pressure [Pa] [inchH ₂ O]	SPL [dB(A)]	Operating Temperature [°C]	Expected Life [h]
9GV0412K301	12	10.8 to 12.6	0.84	10.08	16,500	0.76 26.8	415 1.668	58	- 20 to +60	40,000/60°C
9GV0412J301			0.60	7.20	14,700	0.68 24.0	330 1.325	55		
9GV0412G301		7 to 13.2	0.47	5.64	13,000	0.60 21.1	260 1.044	52		
9GV0412H301			0.31	3.72	11,600	0.53 18.7	207 0.831	49		
9GV0412C301			0.15	1.80	8,300	0.37 13.1	100 0.402	41		

Other sensor specifications are available as options. Please refer to the index (p. 507).

Dimensions (unit: mm) (With ribs)



Reference Dimensions of Mounting Holes and Vent Opening (unit: mm)



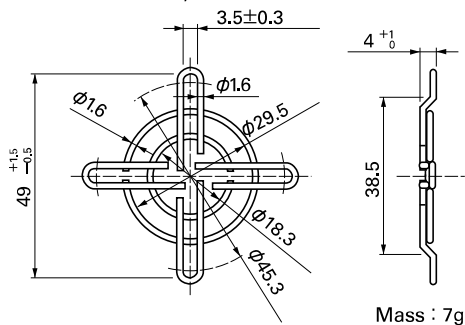
Options (unit: mm)

Finger Guards

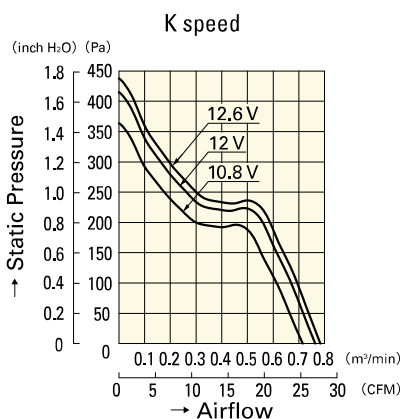
Model : 109-059 Surface treatment : Nickel-chrome plating (silver)
 : 109-059H : Cation electropainting (black)

Color

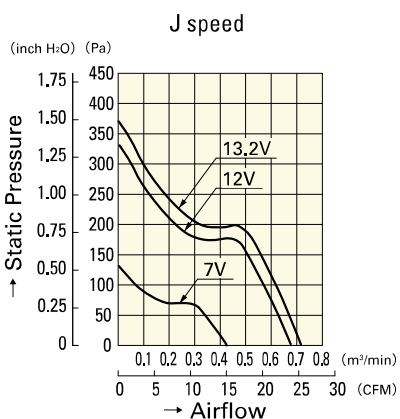
Inlet side, Outlet side



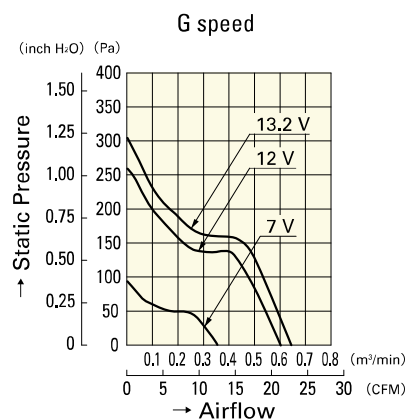
Airflow - Static Pressure Characteristics



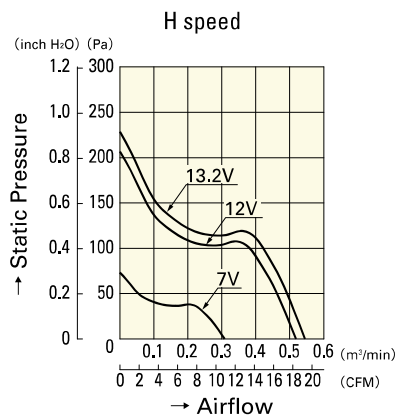
9GV0412K301



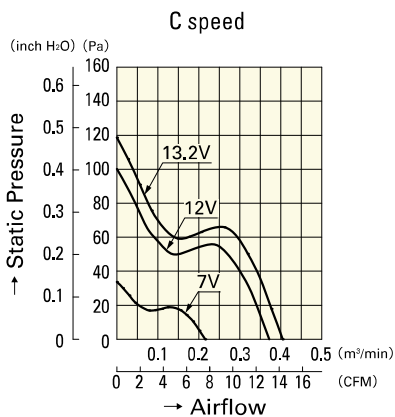
9GV0412J301



9GV0412G301



9GV0412H301



9GV0412C301