

52mm sq.

San Ace 52



General Specifications

- Material Frame: Plastics (Flammability: UL94V-0),
Impeller: Plastics (Flammability: UL94V-0)
- Expected Life Refer to specifications (L10: Survival rate: 90% at 60°C ,
rated voltage, and continuously run in a free air state)
- Lead Wire ⊕red ⊖black (Sensor) yellow (Control) brown
- Storage Temperature -30°C to +70°C (Non-condensing)

52×52×15mm (Mass : 40g) **9GA**type **Low Power Consumption Fan**



Specifications The following nos. have PWM controls, pulse sensors, and ribs.

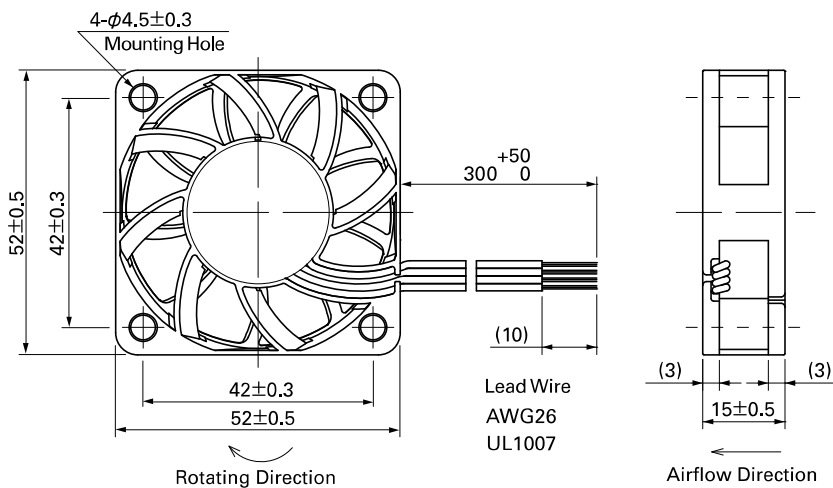
Model No.	Rated Voltage [V]	Operating Voltage Range [V]	PWM duty cycle ^{Note①} [%]	Rated Current [A]	Rated Input [W]	Rated Speed [min ⁻¹]	Max. Airflow [m³/min] [CFM]	Max. Static Pressure [Pa] [inchH ₂ O]	SPL [dB(A)]	Operating Temperature [°C]	Expected Life [h]
9GA0512P7G001	12	10.2 to 13.8	100	0.13	1.56	7,800	0.50 17.7	91.5 0.367	38	-20 to +70	40,000/60°C
9GA0512P7A001				0.08	0.96	6,300	0.40 14.1	59 0.237	32		
9GA0512P7H001				0.05	0.60	4,300	0.275 9.7	27.5 0.110	22		
9GA0512P7M001				0.04	0.48	3,400	0.215 7.6	17 0.068	16		
9GA0524P7G001	24	20.4 to 27.6	100	0.07	1.68	7,800	0.50 17.7	91.5 0.367	38		
9GA0524P7A001				0.05	1.20	6,300	0.40 14.1	59.0 0.237	32		
9GA0524P7H001				0.03	0.72	4,300	0.275 9.7	27.5 0.110	22		
9GA0524P7M001				0.02	0.48	3,400	0.215 7.6	17.0 0.068	16		

Note : Fan does not rotate when PWM duty cycle is 0%.

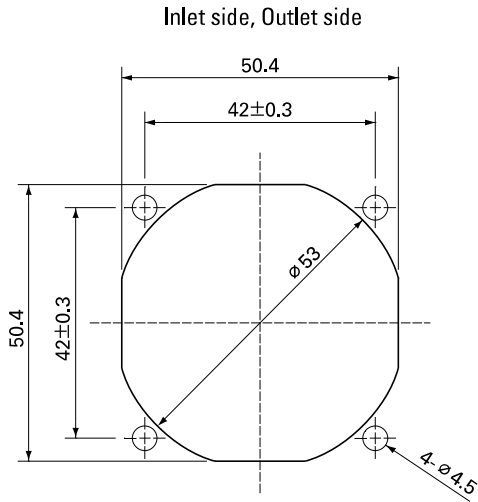
※PWM Frequency : 25kHz

Other sensor specifications are available as options. Please refer to the index (p. 504).

Dimensions (unit: mm)



Reference Dimensions of Mounting Holes and Vent Opening (unit: mm)

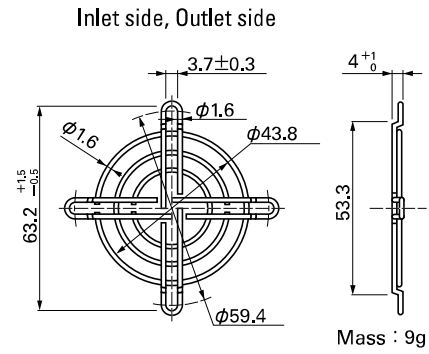
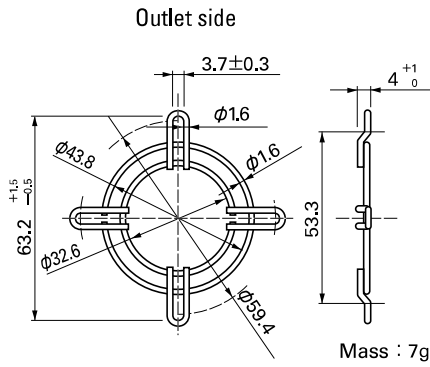


Options (unit: mm)

Finger Guards

Model : 109-149 Surface treatment : Nickel-chrome plating (silver) Color (silver)

Model : 109-149E Surface treatment : Nickel-chrome plating (silver) Color (silver)



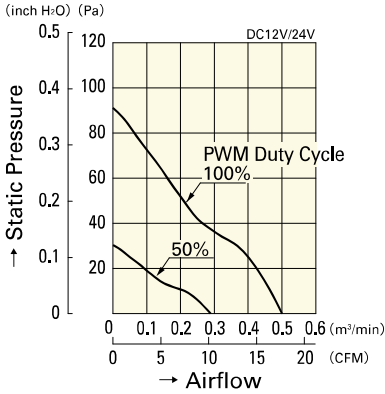
52mm sq.

San Ace 52

52×52×15mm [Mass : 40g]

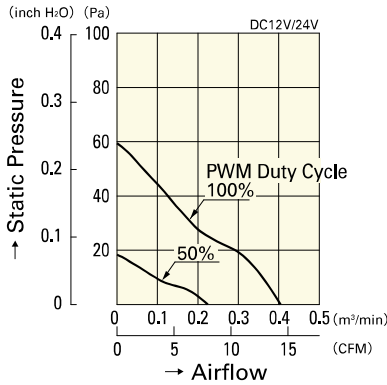
Airflow - Static Pressure Characteristics

PWM Duty Cycle



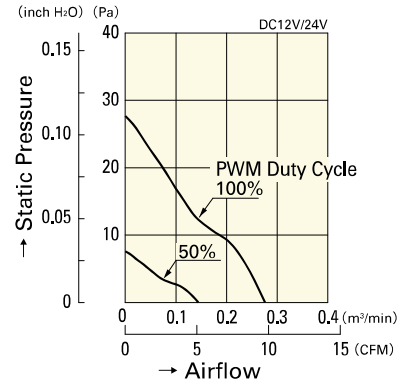
9GA0512P7G001

9GA0524P7G001



9GA0512P7A001

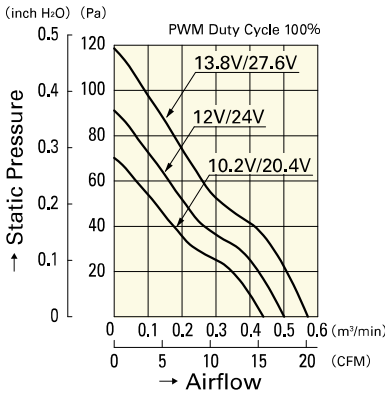
9GA0524P7A001



9GA0512P7H001

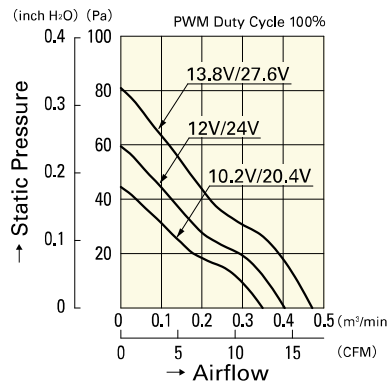
9GA0524P7H001

Operating Voltage Range



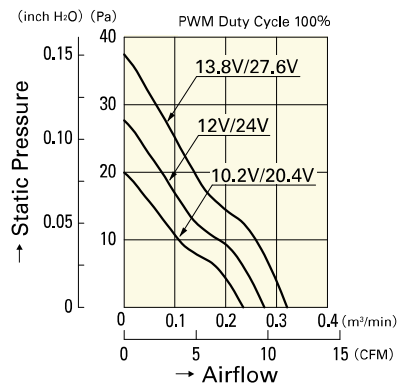
9GA0512P7G001

9GA0524P7G001



9GA0512P7A001

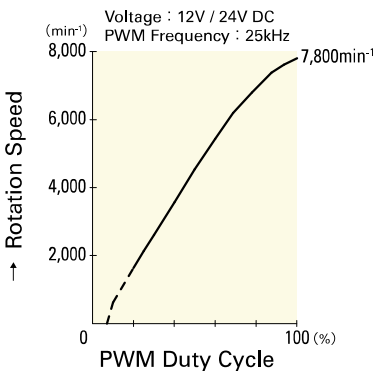
9GA0524P7A001



9GA0512P7H001

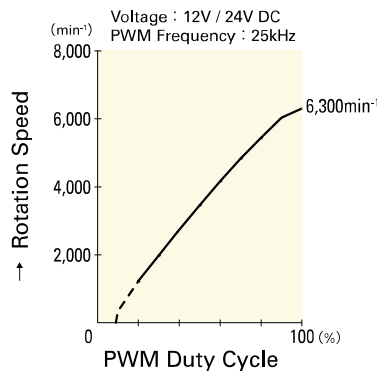
9GA0524P7H001

PWM Duty - Speed Characteristics Example



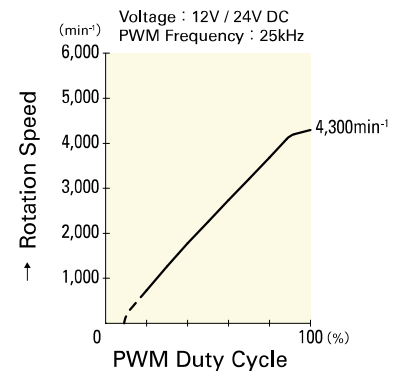
9GA0512P7G001

9GA0524P7G001



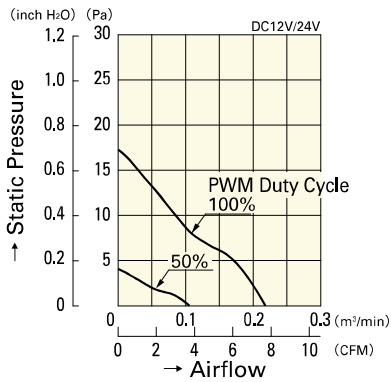
9GA0512P7A001

9GA0524P7A001



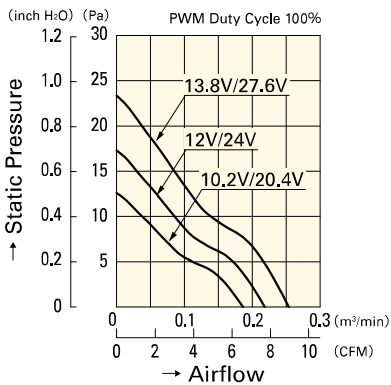
9GA0512P7H001

9GA0524P7H001



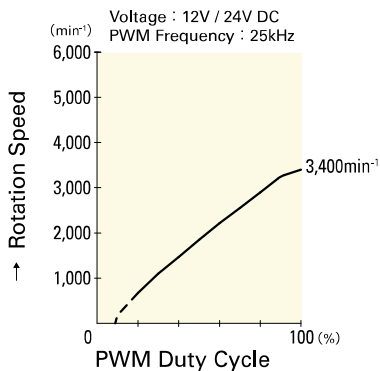
9GA0512P7M001

9GA0524P7M001



9GA0512P7M001

9GA0524P7M001



9GA0512P7M001

9GA0524P7M001