

60mm sq.

San Ace 60



General Specifications

- Material Frame: Plastics (Flammability: UL94V-0),
Impeller: Plastics (Flammability: UL94V-0)
- Expected Life Refer to specifications (L10:Survival rate:90% at 60°C ,
rated voltage, and continuously run in a free air state)
- Lead Wire ⊕red ⊖black or blue (Sensor) yellow
- Storage Temperature -30°C to +70°C (Non-condensing)

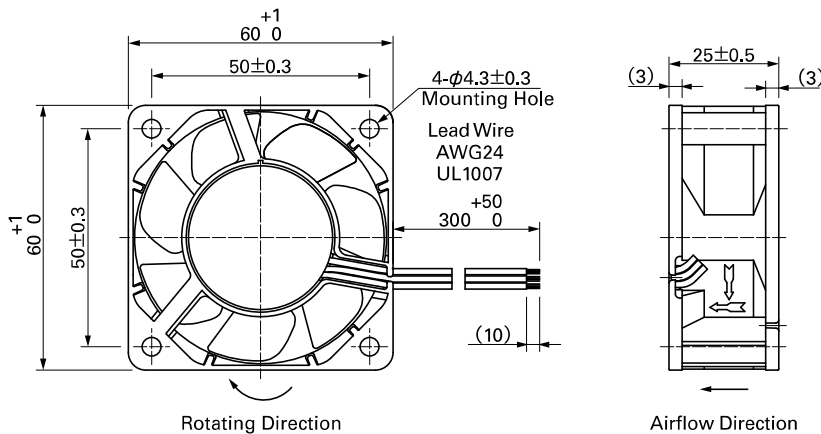
60×60×25mm (Mass : 80g) 9Atype San Cooler

Specifications The following nos. **have pulse sensors and ribs.** For ribless, append "1" to the model no.

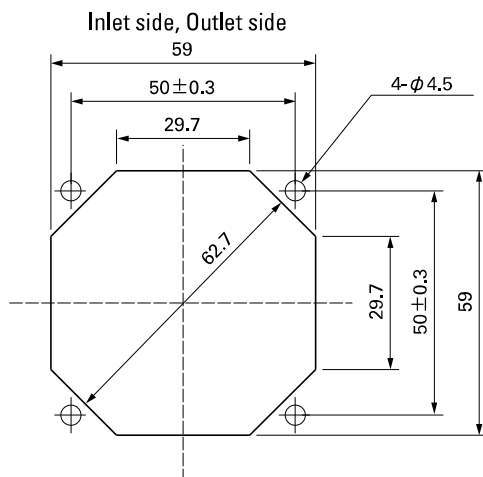
Model No.	Rated Voltage [V]	Operating Voltage Range [V]	Rated Current [A]	Rated Input [W]	Rated Speed [min ⁻¹]	Max. Airflow [m ³ /min] [CFM]	Max. Static Pressure [Pa] [inchH ₂ O]	SPL [dB(A)]	Operating Temperature [°C]	Expected Life [h]		
9A0612G401	12	6 to 13.2	0.24	2.88	5,600	0.78 27.6	87.3 0.351	39	-20 to +60	30,000/60°C		
9A0612S401			0.17	2.04	4,600	0.65 23.0	56.8 0.228	33				
9A0612H401		6 to 13.8	0.11	1.32	3,800	0.53 18.7	40.2 0.161	28			-20 to +70	40,000/60°C
9A0612F401			0.09	1.08	3,200	0.44 15.5	29.4 0.118	24				
9A0612M401			0.06	0.72	2,600	0.36 12.7	19.6 0.079	20				
9A0624G401	24	12 to 27.6	0.13	3.12	5,600	0.78 27.6	87.3 0.351	39	-20 to +60	30,000/60°C		
9A0624S401			0.08	1.92	4,600	0.65 23.0	56.8 0.228	33				
9A0624H401		12 to 27.6	0.06	1.44	3,800	0.53 18.7	40.2 0.161	28			-20 to +70	40,000/60°C
9A0624F401			0.05	1.2	3,200	0.44 15.5	29.4 0.118	24				
9A0624M401			0.04	0.96	2,600	0.36 12.7	19.6 0.079	20				

Other sensor specifications are available as options. Please refer to the index (pp. 499 to 500).

Dimensions (unit: mm) (With ribs)



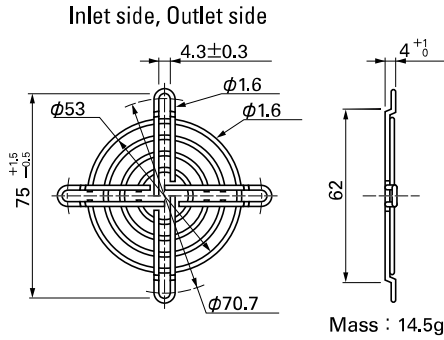
Reference Dimensions of Mounting Holes and Vent Opening (unit: mm)



Options (unit: mm)

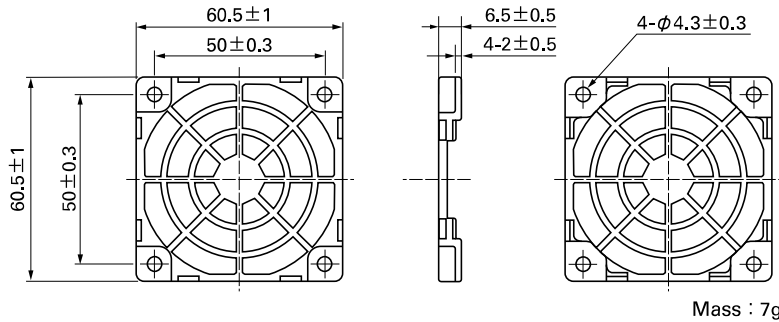
Finger Guards

Model : 109-139E Surface treatment : Nickel-chrome plating (silver) Color
 : 109-139H : Cation electropainting (black)



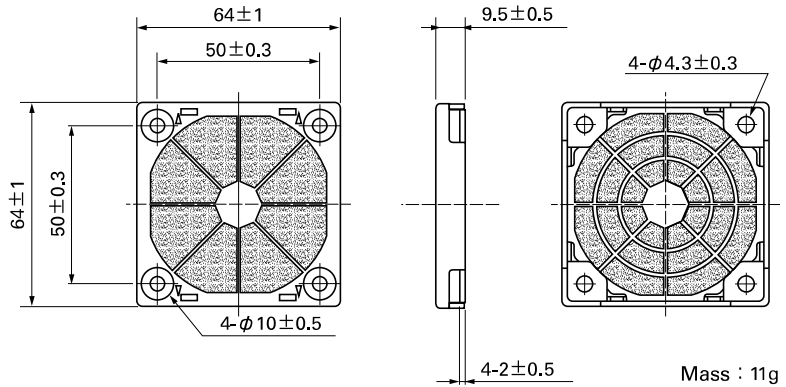
Resin Finger Guards

Model : 109-1003G

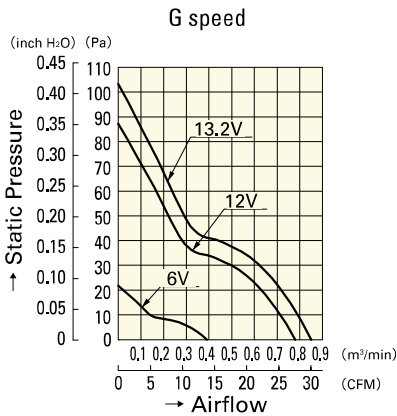


Resin Filter Kits

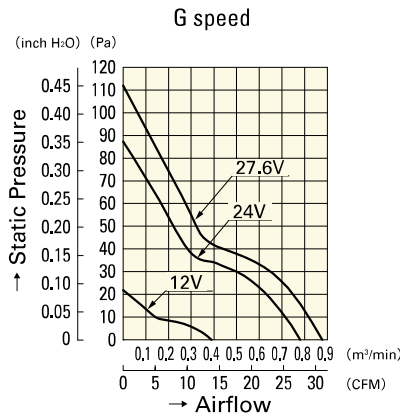
Model : 109-1003F13 (13PPI), 109-1003F20 (20PPI)
 : 109-1003F30 (30PPI), 109-1003F40 (40PPI)



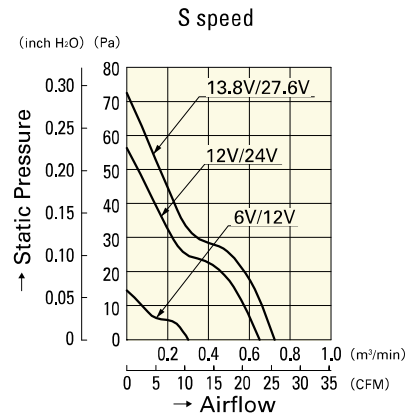
Airflow - Static Pressure Characteristics



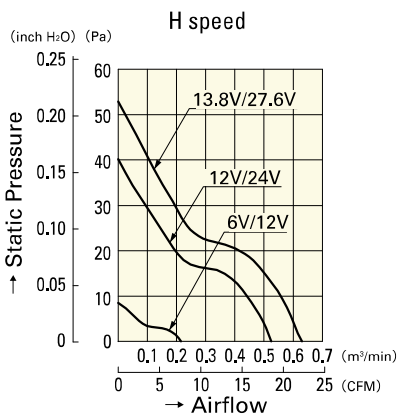
9A0612G401



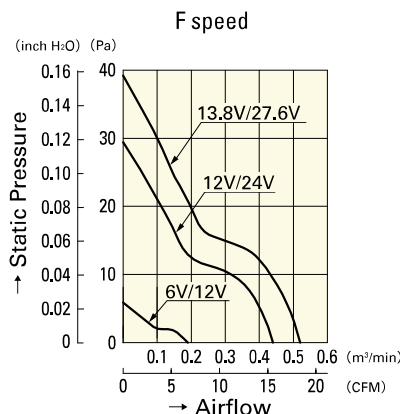
9A0624G401



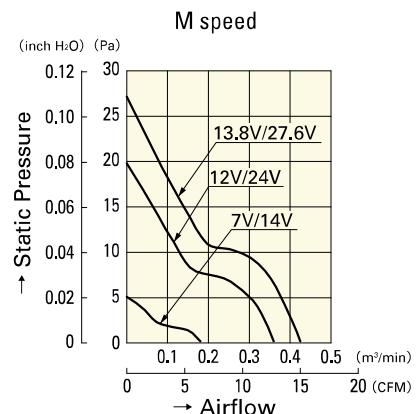
9A0612S401
9A0624S401



9A0612H401
9A0624H401



9A0612F401
9A0624F401



9A0612M401
9A0624M401