

**60** mm sq.

# San Ace 60



(Ribless model depicted)



## General Specifications

- Material: Frame: Plastics (Flammability: UL94V-0), Impeller: Plastics (Flammability: UL94V-0)
- Expected Life: Refer to specifications (L10:Survival rate:90% at 60°C, rated voltage, and continuously run in a free air state)
- Lead Wire: ⊕red ⊖black (Sensor) yellow
- Storage Temperature: -30°C to +70°C (Non-condensing)

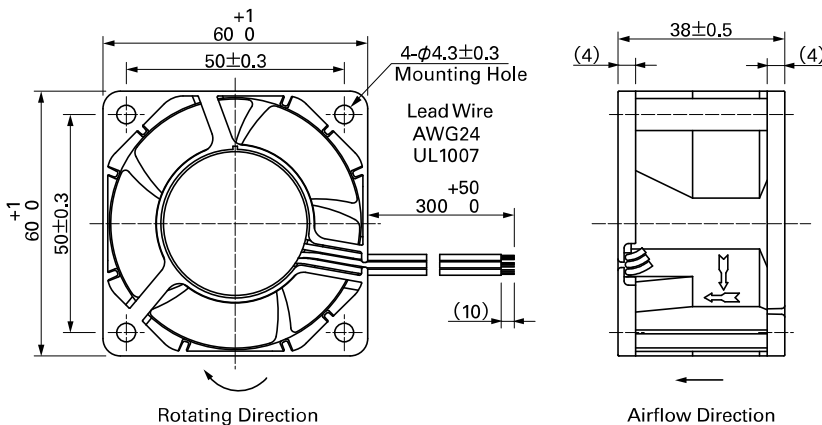
**60×60×38** mm [Mass : 110g] **9G type**

**Specifications** The following nos. **have pulse sensors and ribs**. For ribless, append "1" to the model no.

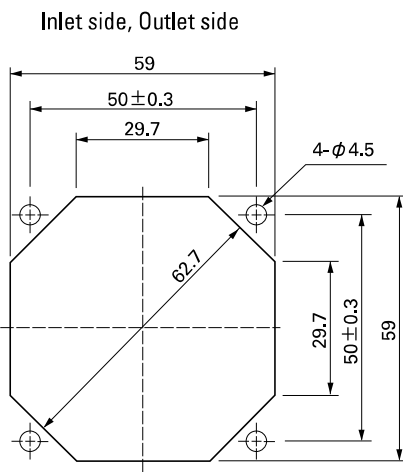
Model No.	Rated Voltage [V]	Operating Voltage Range [V]	Rated Current [A]	Rated Input [W]	Rated Speed [min <sup>-1</sup> ]	Max. Airflow [m <sup>3</sup> /min] [CFM]	Max. Static Pressure [Pa] [inchH <sub>2</sub> O]	SPL [dB(A)]	Operating Temperature [°C]	Expected Life [h]
9G0612G101	12	7.0 to 13.8	1.54	18.5	11,800	1.84 65	435 1.747	58	-20 to +70	40,000/60°C
9G0612S101			1.36	16.3	10,800	1.70 60	370 1.486	56		
9G0624G101	24	14.0 to 27.6	0.85	20.4	11,800	1.84 65	435 1.747	58		
9G0624S101			0.70	16.8	10,800	1.70 60	370 1.486	56		
9G0624H101	48	28 to 55.2	0.57	13.68	9,800	1.54 54.4	304.6 1.223	54		
9G0648G101			0.35	16.8	11,800	1.84 65	435 1.747	58		
9G0648S101	0.29	13.9	10,800	1.70 60	370 1.486	56				

Other sensor specifications are available as options. Please refer to the index (pp. 501 to 502).

## Dimensions (unit: mm) (With ribs)



## Reference Dimensions of Mounting Holes and Vent Opening (unit: mm)

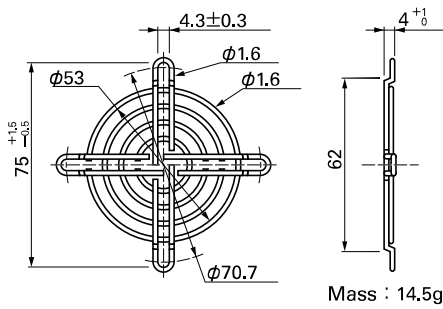


**Options (unit: mm)**

**Finger Guards**

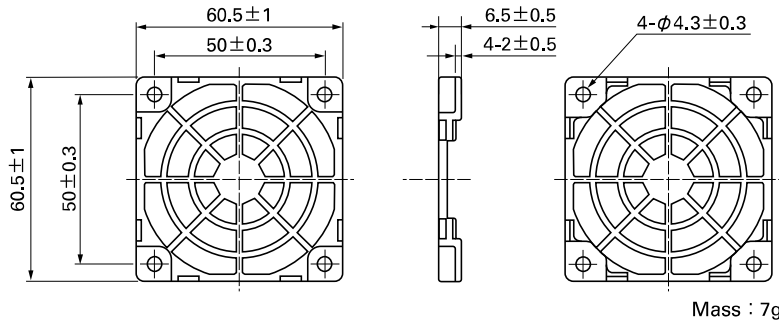
Model : 109-139E Surface treatment : Nickel-chrome plating (silver) Color  
 : 109-139H : Cation electropainting (black)

Inlet side, Outlet side



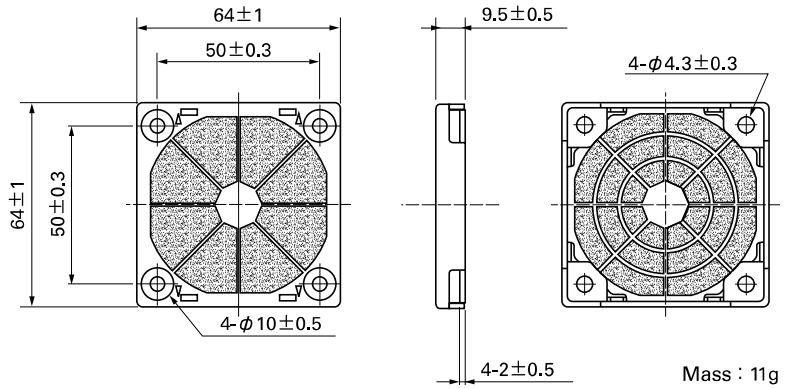
**Resin Finger Guards**

Model : 109-1003G

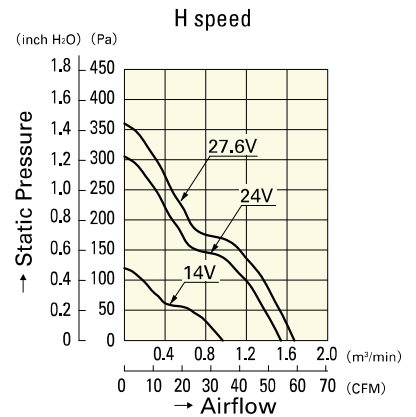
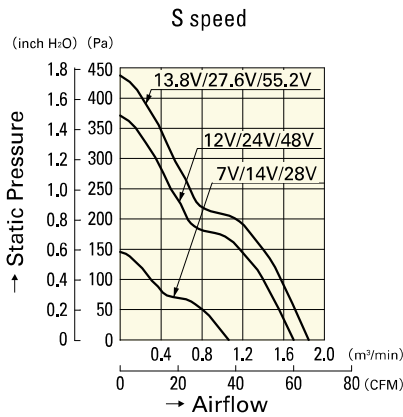
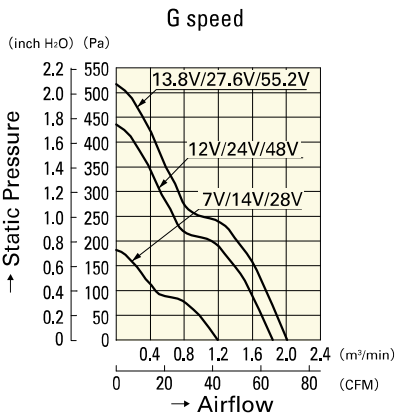


**Resin Filter Kits**

Model : 109-1003F13 (13PPI), 109-1003F20 (20PPI)  
 : 109-1003F30 (30PPI), 109-1003F40 (40PPI)



**Airflow - Static Pressure Characteristics**



**9G0612G101**  
**9G0624G101**  
**9G0648G101**

**9G0612S101**  
**9G0624S101**  
**9G0648S101**

**9G0624H101**