

70mm sq.

San Ace 70



General Specifications

- Material Frame: Plastics (Flammability: UL94V-0),
Impeller: Plastics (Flammability: UL94V-0)
- Expected Life Refer to specifications (L10: Survival rate: 90% at 60°C ,
rated voltage, and continuously run in a free air state)
- Lead Wire ⊕red ⊖black (Sensor) yellow (Control) brown
- Storage Temperature -30°C to +70°C (Non-condensing)

70×70×38mm (Mass : 170g) **9GA**type **Low Power Consumption Fan**

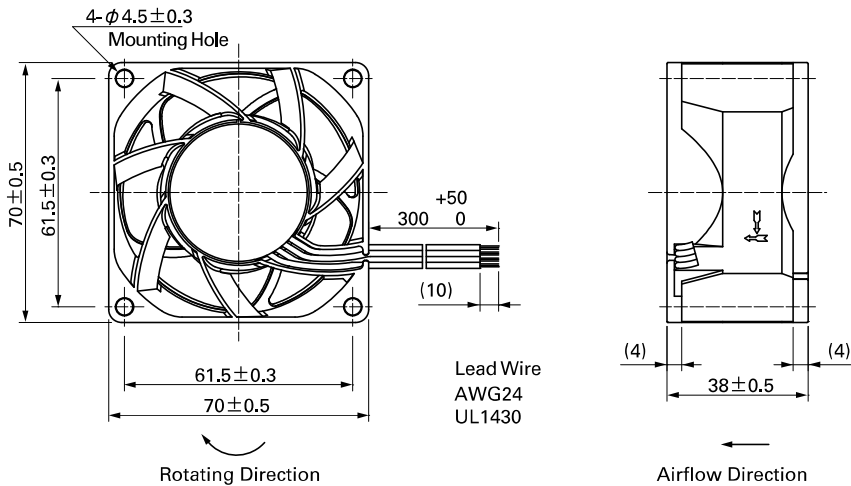


Specifications The following nos. **have PWM controls, pulse sensors, and ribs.** For ribless, append "1" to the model no.

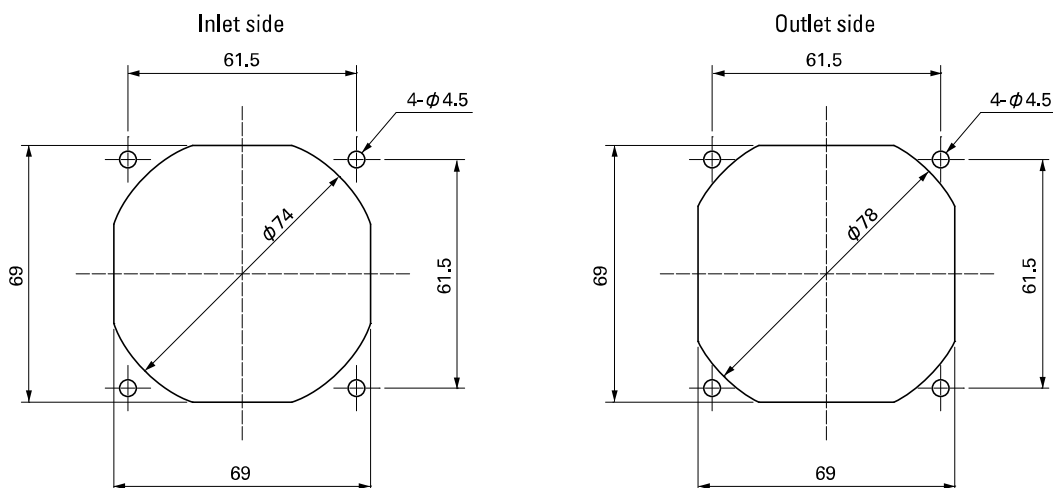
Model No.	Rated Voltage [V]	Operating Voltage Range [V]	PWM duty cycle* [%]	Rated Current [A]	Rated Input [W]	Rated Speed [min ⁻¹]	Max. Airflow [m ³ /min] [CFM]	Max. Static Pressure [Pa] [inchH ₂ O]	SPL [dB(A)]	Operating Temperature [°C]	Expected Life [h]
9GA0712P1G001	12	10.8 to 13.2	100	2.6	31.2	16,500	2.65 93.6	860 3.45	65	-20 to +70	40,000/60°C (70,000/40°C)
			0	0.16	1.92	4,400	0.70 24.7	61 0.24	30		
9GA0712P1H001	12	10.8 to 13.2	100	1.1	13.2	12,000	1.92 67.8	455 1.83	57		
			0	0.07	0.84	2,500	0.40 14.1	20 0.08	19		

*PWM Frequency : 25kHz

Dimensions (unit: mm) (With ribs)



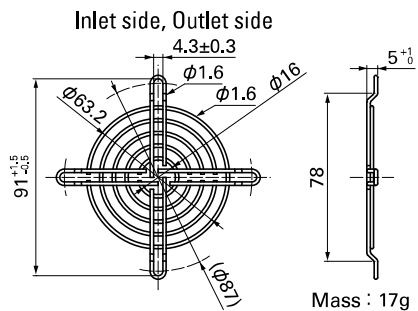
Reference Dimensions of Mounting Holes and Vent Opening (unit: mm)



Options (unit: mm)

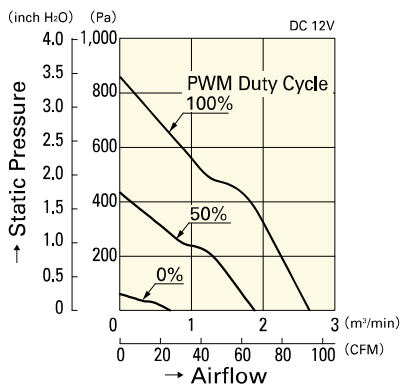
Finger Guards

Model : 109-1128 Surface treatment : Nickel-chrome plating (silver) Color

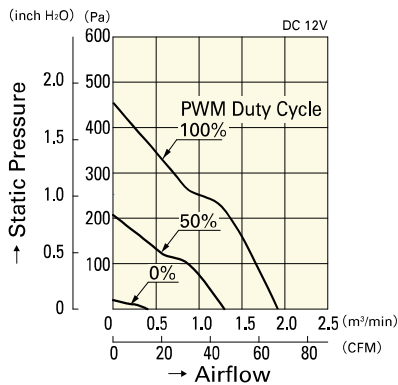


Airflow - Static Pressure Characteristics

PWM Duty Cycle

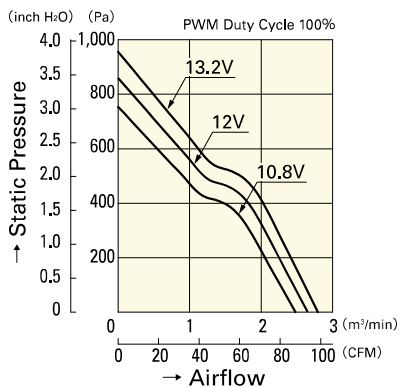


9GA0712P1G001

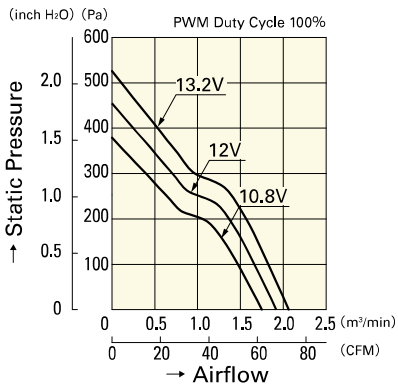


9GA0712P1H001

Operating Voltage Range

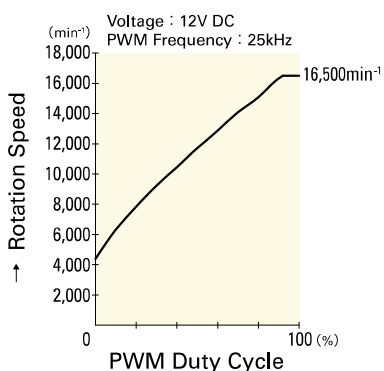


9GA0712P1G001

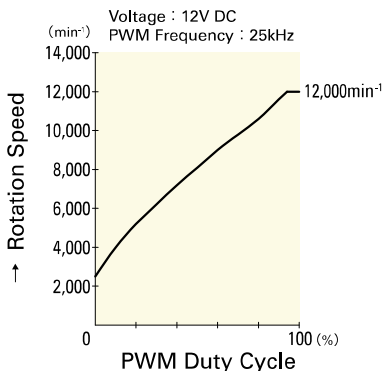


9GA0712P1H001

PWM Duty - Speed Characteristics Example



9GA0712P1G001



9GA0712P1H001