

**80** mm sq.

# San Ace 80



Model no. 109P0812C601 is not certified.

## General Specifications

- Material ..... Frame: Plastics (Flammability: UL94V-0),  
Impeller: Plastics (Flammability: UL94V-1)
- Expected Life ..... Refer to specifications (L10:Survival rate:90% at 60°C ,  
rated voltage, and continuously run in a free air state)
- Lead Wire ..... ⊕red ⊖black or blue (Sensor) yellow
- Storage Temperature ..... -30°C to +70°C (Non-condensing)

**80×80×20** mm (Mass : 100g) **9P** type

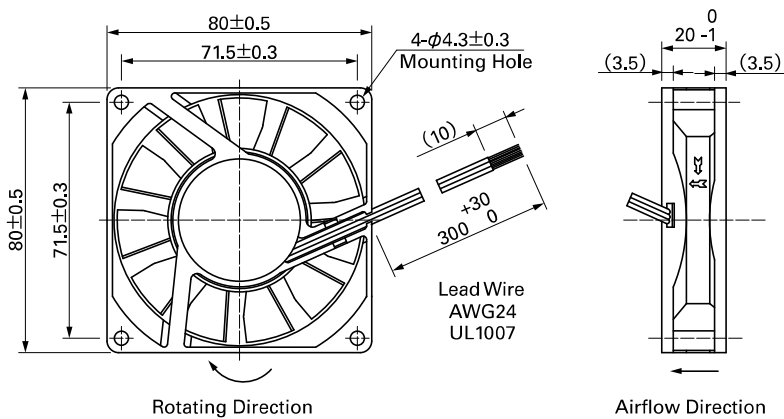
## Specifications

The following nos. **have pulse sensors and ribs.**

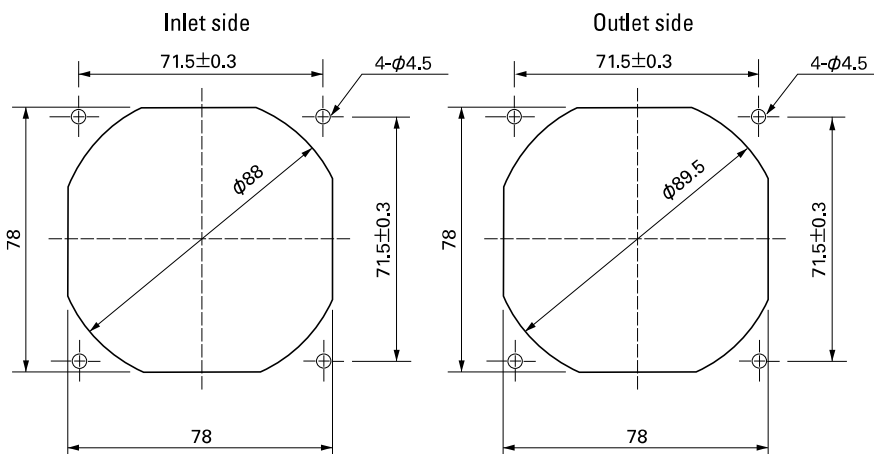
Model No.	Rated Voltage [V]	Operating Voltage Range [V]	Rated Current [A]	Rated Input [W]	Rated Speed [min <sup>-1</sup> ]	Max. Airflow [m <sup>3</sup> /min] [CFM]	Max. Static Pressure [Pa] [inchH <sub>2</sub> O]	SPL [dB(A)]	Operating Temperature [°C]	Expected Life [h]
<b>109P0812C601</b>	12	10.2 to 13.8	0.29	3.48	3,700	1.07 37.8	46 0.185	39	-20 to +60	60,000/60°C
<b>109P0812H601</b>			0.21	2.52	2,900	0.84 29.7	29.4 0.118	31		
<b>109P0812M601</b>			0.13	1.56	2,300	0.67 23.7	18.6 0.075	25		
<b>109P0824H601</b>	24	20.4 to 27.6	0.12	2.88	2,900	0.84 29.7	29.4 0.118	31	-20 to +70	
<b>109P0824M601</b>			0.07	1.68	2,300	0.67 23.7	18.6 0.075	25		
<b>109P0848C601</b>	48	38 to 57.6	0.08	3.84	3,700	1.07 37.8	46 0.185	39	-20 to +70	
<b>109P0848H601</b>			0.05	2.4	2,900	0.84 29.7	29.4 0.118	31		-20 to +60

Other sensor specifications are available as options. Please refer to the index (pp. 497 to 498).

## Dimensions (unit: mm)



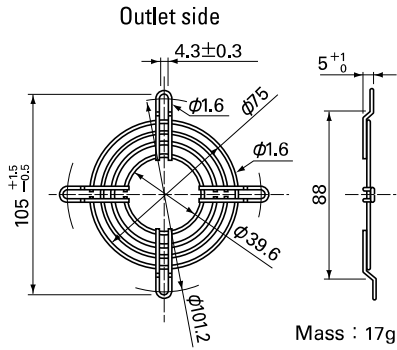
## Reference Dimensions of Mounting Holes and Vent Opening (unit: mm)



**Options (unit: mm)**

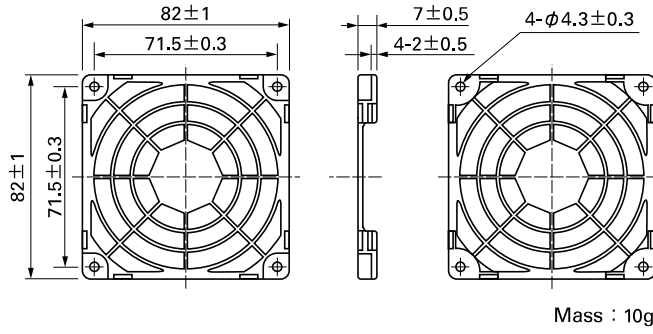
**Finger Guards**

Model : 109-049C Surface treatment : Nickel-chrome plating (silver) Color : 109-049H : Cation electropainting (black)



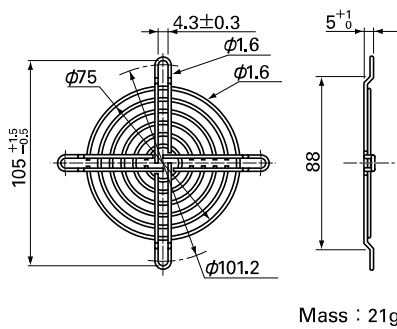
**Resin Finger Guards**

Model : 109-1002G



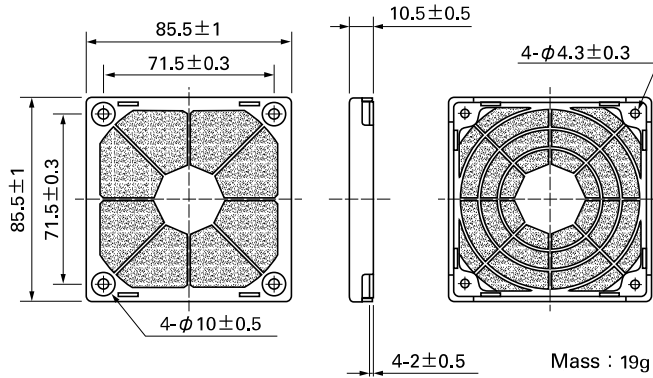
Model : 109-049E Surface treatment : Nickel-chrome plating (silver) Color : 109-049H : Cation electropainting (black)

**Inlet side, Outlet side**

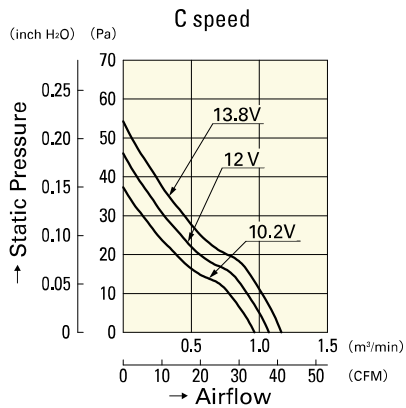


**Resin Filter Kits**

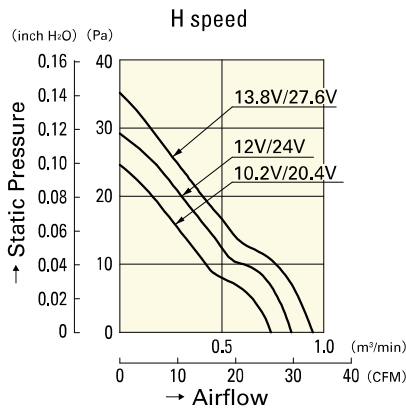
Model : 109-1002F13 (13PPI), 109-1002F20 (20PPI) : 109-1002F30 (30PPI), 109-1002F40 (40PPI)



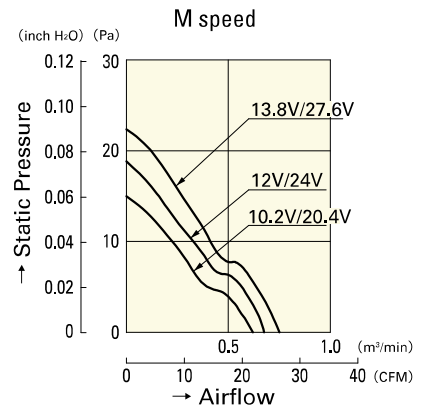
**Airflow - Static Pressure Characteristics**



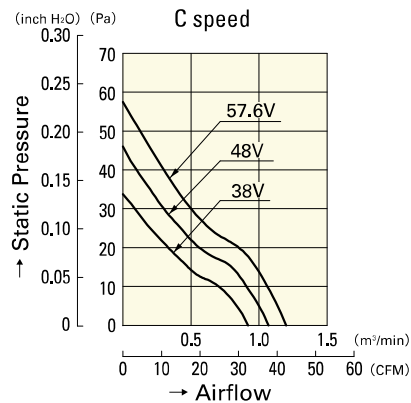
**109P0812C601**



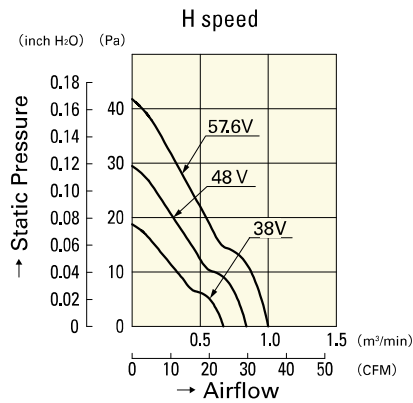
**109P0812H601**  
**109P0824H601**



**109P0812M601**  
**109P0824M601**



**109P0848C601**



**109P0848H601**