

80mm sq.

San Ace 80



General Specifications

- Material Frame: Plastics (Flammability: UL94V-0),
Impeller: Plastics (Flammability: UL94V-0)
- Expected Life Refer to specifications (L10: Survival rate: 90% at 60°C ,
rated voltage, and continuously run in a free air state)
- Lead Wire ⊕red ⊖black (Sensor) yellow (Control) brown
- Storage Temperature -30°C to +70°C (Non-condensing)

80×80×32mm (Mass : 130g) **9GA type** High Airflow Low Power Consumption Fan



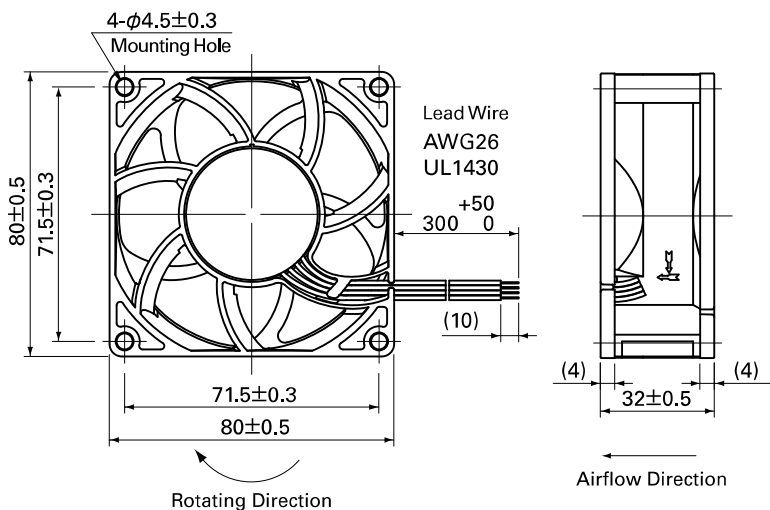
Specifications The following nos. **have PWM controls, pulse sensors, and ribs.** For ribless, append "1" to the model no.

Model No.	Rated Voltage [V]	Operating Voltage Range [V]	PWM duty cycle* [%]	Rated Current [A]	Rated Input [W]	Rated Speed [min ⁻¹]	Max. Airflow [m ³ /min] [CFM]	Max. Static Pressure [Pa] [inchH ₂ O]	SPL [dB(A)]	Operating Temperature [°C]	Expected Life [h]
9GA0812P2S001	12	10.2 to 13.8	100	0.83	9.96	9,700	2.45 86.5	360 1.45	57	-20 to +70	40,000/60°C
			0	0.08	0.96	2,800	0.71 25.1	30 0.12	24		
100			0.59	7.08	8,700	2.20 77.7	294 1.18	54			
0			0.05	0.6	2,600	0.66 23.3	26 0.105	21			
9GA0812P2M001		10.2 to 12.6	100	0.35	4.2	6,700	1.69 59.6	171 0.68	47	-20 to +55	
			0	0.04	0.48	1,400	0.35 12.3	7.5 0.03	10		
9GA0824P2S001	24	20.4 to 27.6	100	0.42	10.1	9,700	2.45 86.5	360 1.45	57	-20 to +70	
			0	0.05	1.2	2,800	0.71 25.1	30 0.12	24		
9GA0848P2S001	48	40.8 to 55.2	100	0.22	10.56	9,700	2.45 86.5	360 1.45	57	-10 to +70	
			0	0.04	1.92	2,800	0.71 25.1	30 0.12	24		

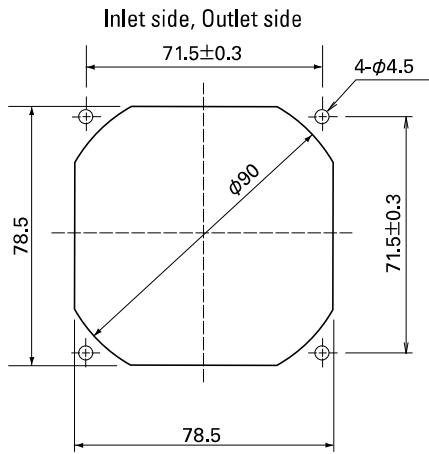
*PWM Frequency : 25kHz

Other sensor specifications are available as options. Please refer to the index (pp. 505 to 506).

Dimensions (unit: mm) (With ribs)



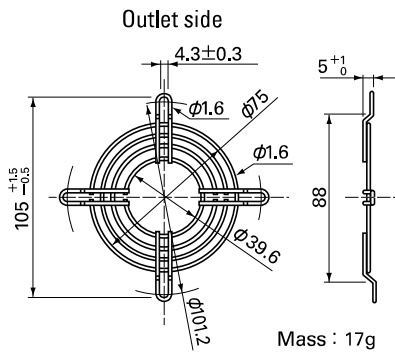
Reference Dimensions of Mounting Holes and Vent Opening (unit: mm)



Options (unit: mm)

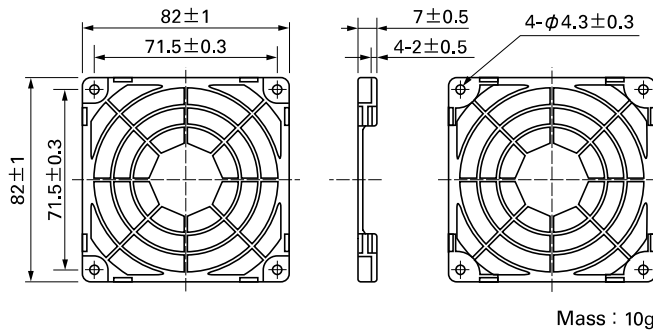
Finger Guards

Model : 109-049C Surface treatment : Nickel-chrome plating (silver) Color : Nickel-chrome plating (silver)

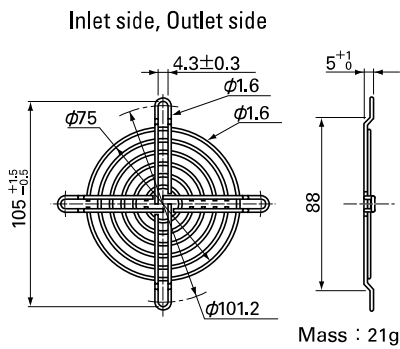


Resin Finger Guards

Model : 109-1002G

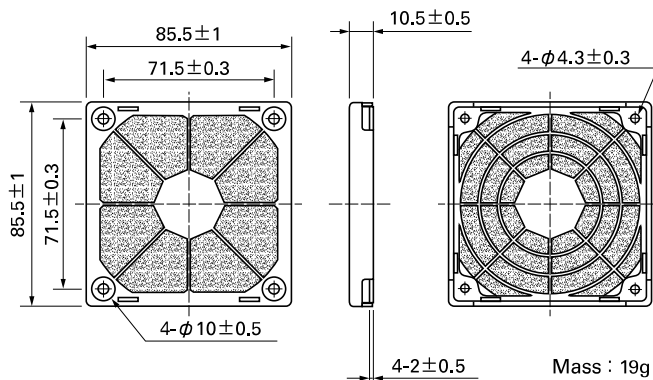


Model : 109-049E Surface treatment : Nickel-chrome plating (silver) Color : Nickel-chrome plating (silver)
 : 109-049H Surface treatment : Cation electropainting (black) Color : Cation electropainting (black)



Resin Filter Kits

Model : 109-1002F13 (13PPI), 109-1002F20 (20PPI)
 : 109-1002F30 (30PPI), 109-1002F40 (40PPI)



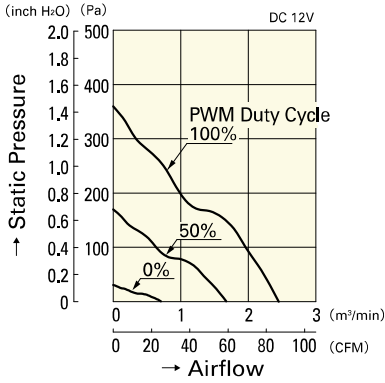
80mm sq.

San Ace 80

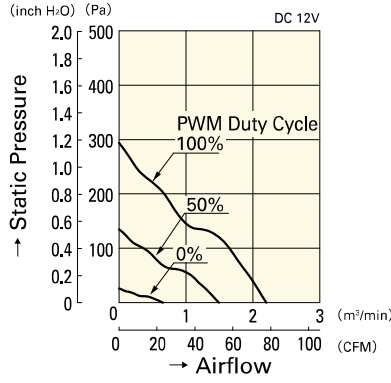
80×80×32mm [Mass : 130g]

Airflow - Static Pressure Characteristics

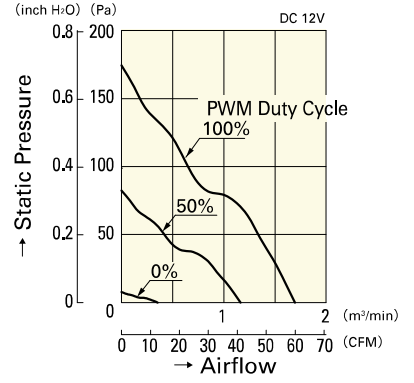
PWM Duty Cycle



9GA0812P2S001

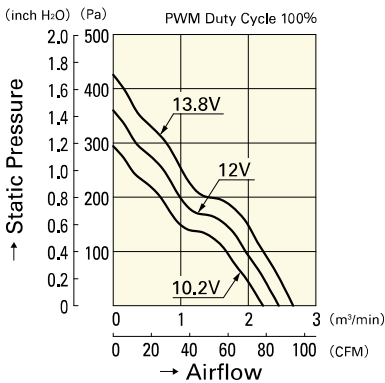


9GA0812P2H001

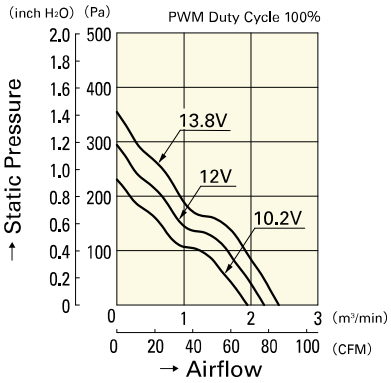


9GA0812P2M001

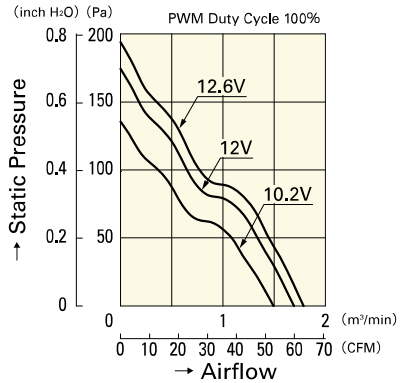
Operating Voltage Range



9GA0812P2S001

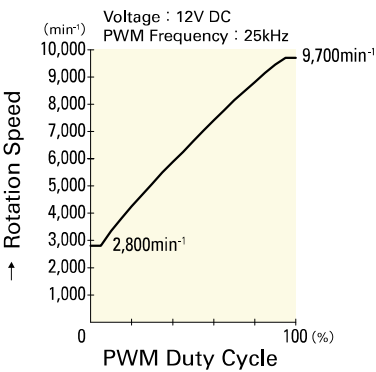


9GA0812P2H001

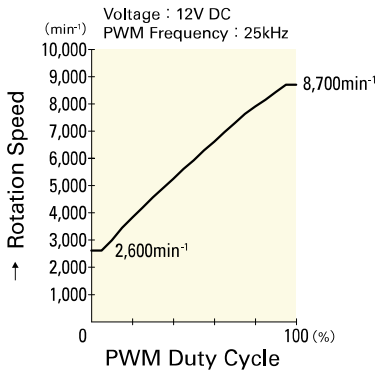


9GA0812P2M001

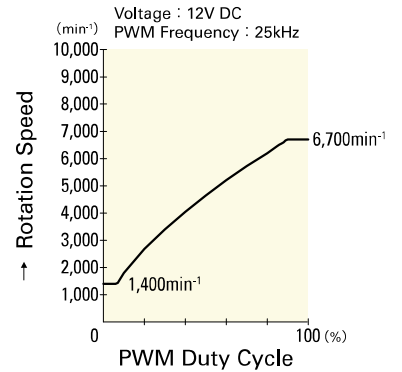
PWM Duty - Speed Characteristics Example



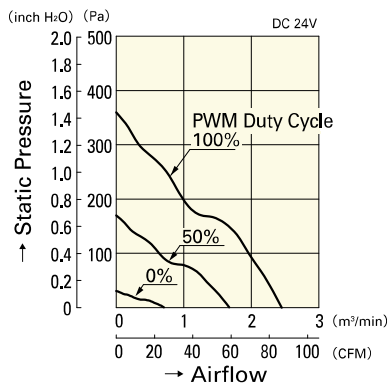
9GA0812P2S001



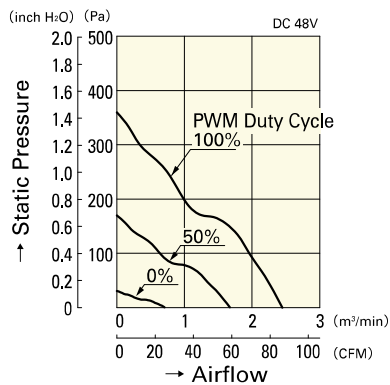
9GA0812P2H001



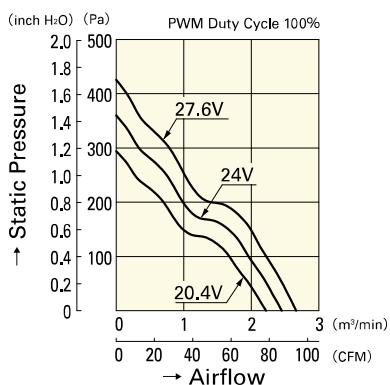
9GA0812P2M001



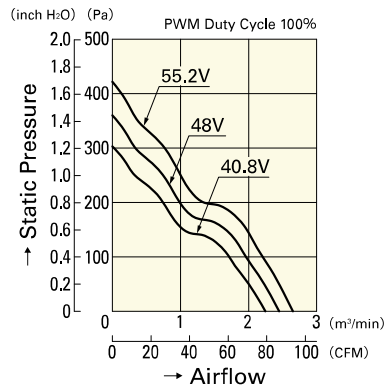
9GA0824P2S001



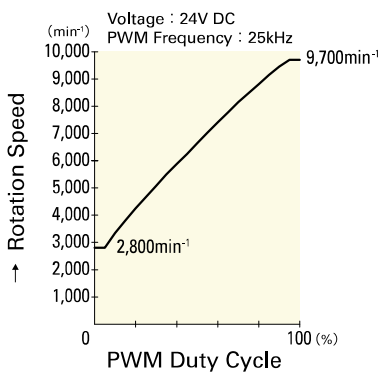
9GA0848P2S001



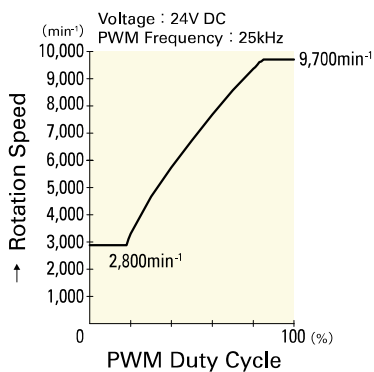
9GA0824P2S001



9GA0848P2S001



9GA0824P2S001



9GA0848P2S001