

80 mm sq.

San Ace 80



General Specifications

- Material Frame: Plastics (Flammability: UL94V-0),
Impeller: Plastics (Flammability: UL94V-0)
- Expected Life Refer to specifications (L10: Survival rate: 90% at 60°C ,
rated voltage, and continuously run in a free air state)
- Lead Wire ⊕red ⊖black (Sensor) yellow (Control) brown
- Storage Temperature -30°C to +70°C (Non-condensing)

80×80×38 mm (Mass : 160g) **9GA** type **Low Power Consumption Fan**



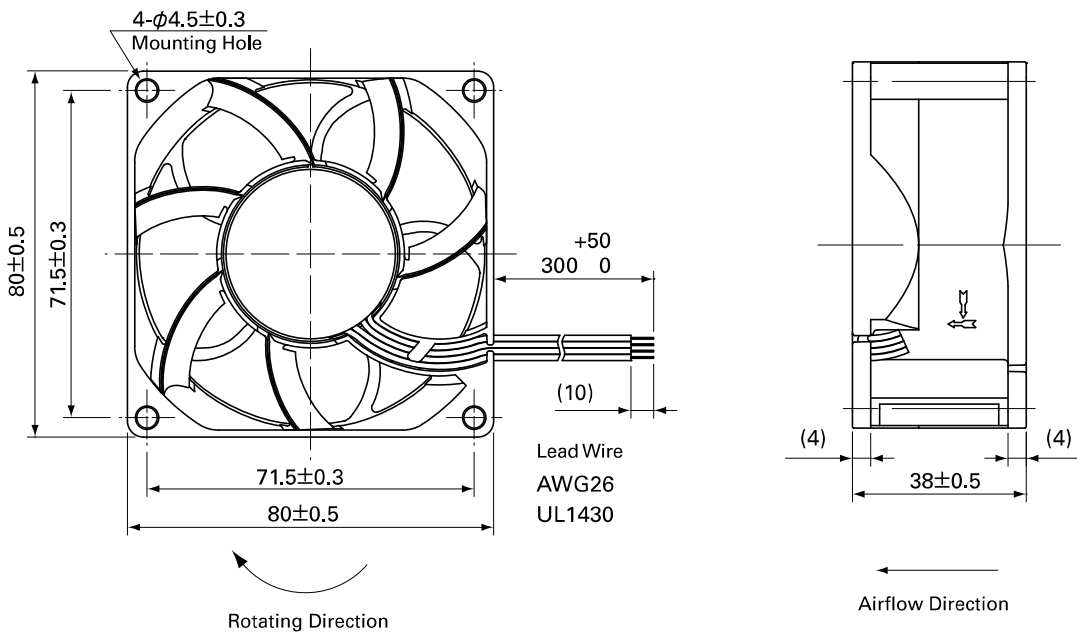
Specifications The following nos. **have PWM controls, pulse sensors, and ribs.** For ribless, append "1" to the model no.

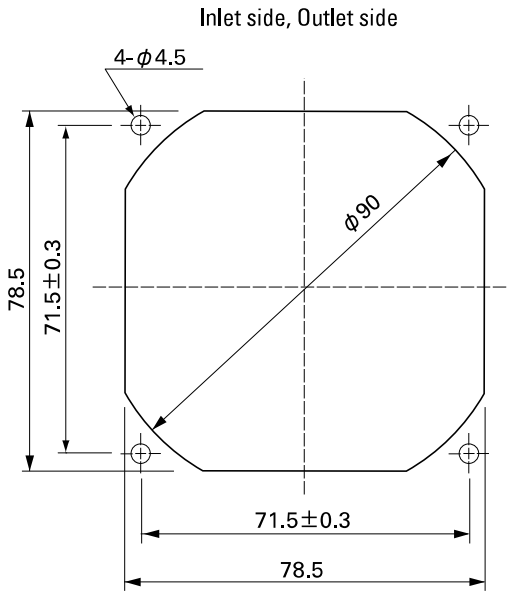
Model No.	Rated Voltage [V]	Operating Voltage Range [V]	PWM duty cycle* [%]	Rated Current [A]	Rated Input [W]	Rated Speed [min ⁻¹]	Max. Airflow [m ³ /min] [CFM]	Max. Static Pressure [Pa] [inchH ₂ O]	SPL [dB(A)]	Operating Temperature [°C]	Expected Life [h]
9GA0812P1G61	12	10.8 to 13.2	100	1.2	14.4	10,500	2.85 100.6	480 1.93	60	-20 to +70	40,000/60°C (70,000/40°C)
			0	0.04	0.48	2,000	0.51 18.0	28.7 0.11	21		
9GA0812P1S61			100	0.94	11.28	9,550	2.6 91.8	480 1.93	59		
			0	0.1	1.2	2,900	0.74 26.1	60 0.24	27		
9GA0812P1H61			100	0.6	7.2	8,250	2.25 79.4	380 1.53	55		
			0	0.08	0.96	2,500	0.64 22.6	45 0.18	24		
9GA0824P1S61	24	20.4 to 27.6	100	0.47	11.28	9,550	2.6 91.8	480 1.93	59		
			0	0.06	1.44	2,900	0.74 26.1	60 0.24	27		
9GA0824P1H61			100	0.3	7.2	8,250	2.25 79.4	380 1.53	55		
			0	0.05	1.2	2,500	0.64 22.6	45 0.18	24		
9GA0848P1S61			48	40.8 to 55.2	100	0.25	12	9,550	2.6 91.8	480 1.93	59
					0	0.04	1.92	2,990	0.74 26.1	60 0.24	27

*PWM Frequency : 25kHz

Other sensor specifications are available as options. Please refer to the index (pp. 505 to 506).

Dimensions (unit: mm) (With ribs)



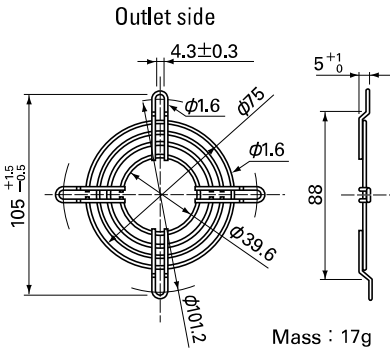


Options (unit: mm)

Finger Guards

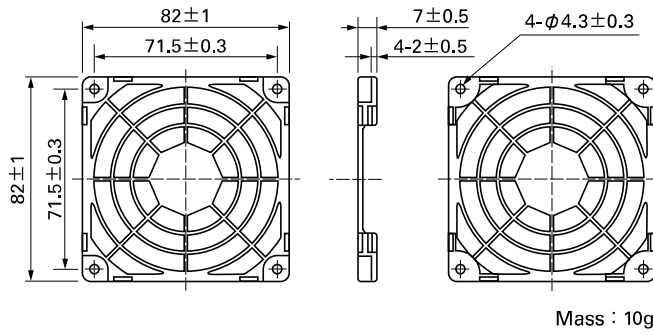
Model : 109-049C Surface treatment : Nickel-chrome plating (silver)

Color



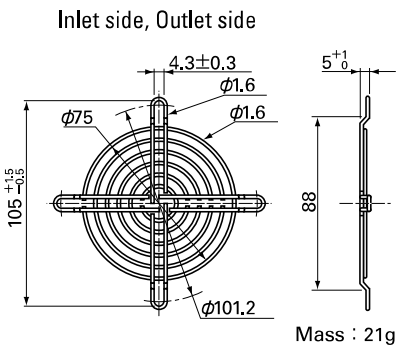
Resin Finger Guards

Model : 109-1002G



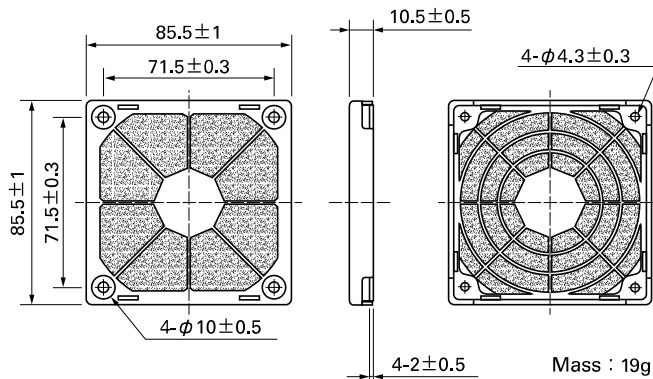
Model : 109-049E Surface treatment : Nickel-chrome plating (silver)
: 109-049H : Cation electropainting (black)

Color



Resin Filter Kits

Model : 109-1002F13 (13PPI), 109-1002F20 (20PPI)
: 109-1002F30 (30PPI), 109-1002F40 (40PPI)



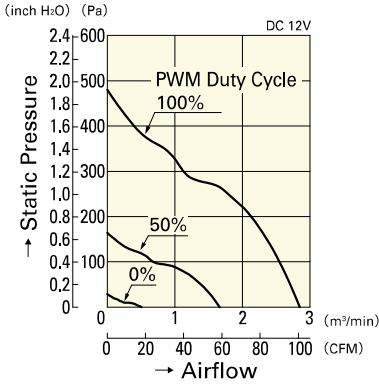
80 mm sq.

San Ace 80

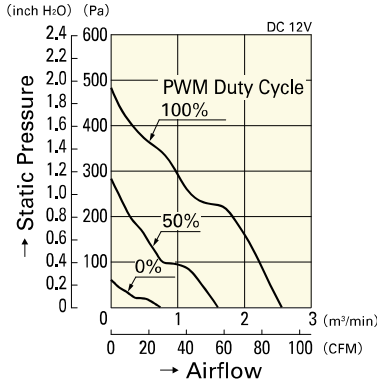
80×80×38mm [Mass : 160g]

Airflow - Static Pressure Characteristics

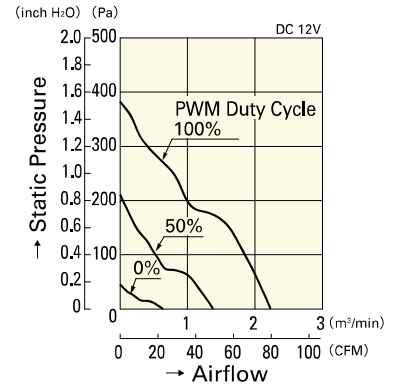
PWM Duty Cycle



9GA0812P1G61

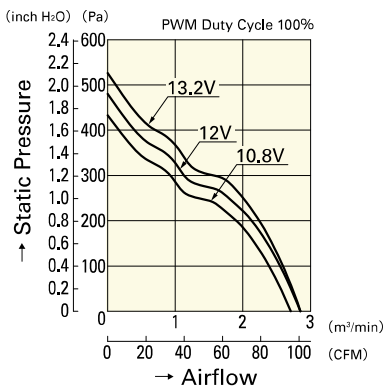


9GA0812P1S61

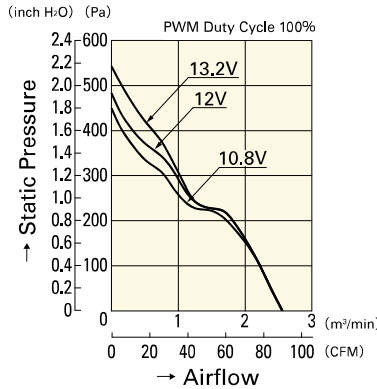


9GA0812P1H61

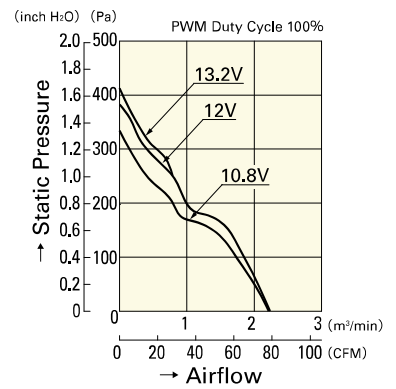
Operating Voltage Range



9GA0812P1G61

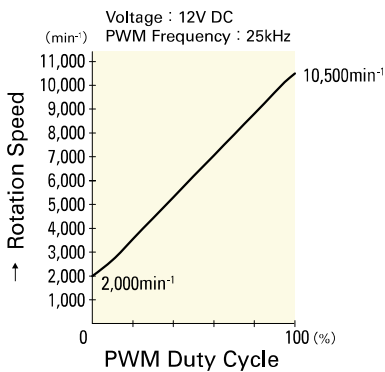


9GA0812P1S61

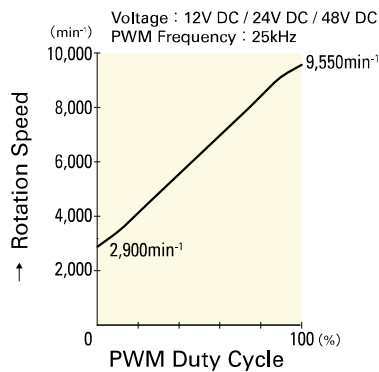


9GA0812P1H61

PWM Duty - Speed Characteristics Example



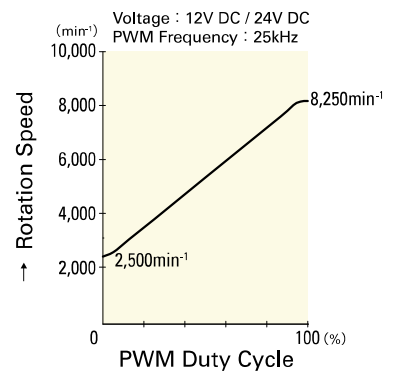
9GA0812P1G61



9GA0812P1S61

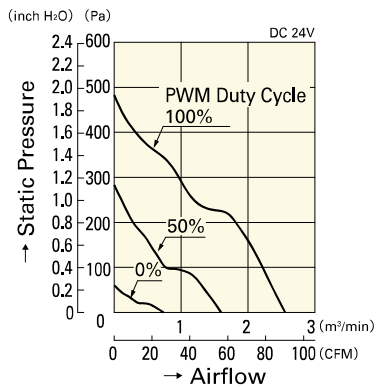
9GA0824P1S61

9GA0848P1S61

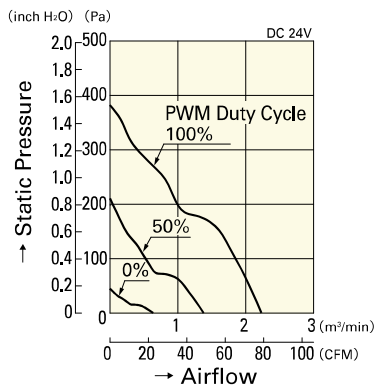


9GA0812P1H61

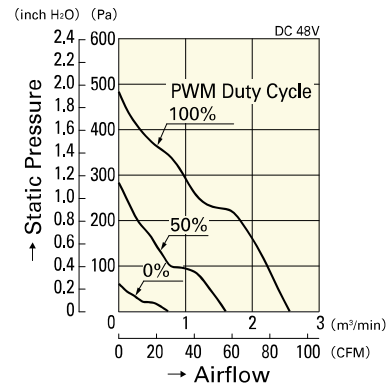
9GA0824P1H61



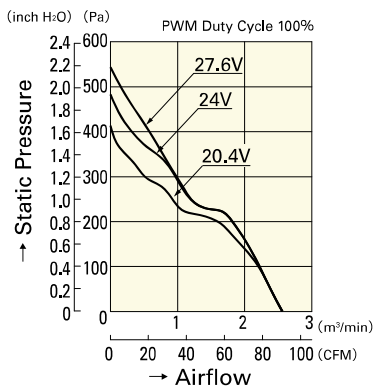
9GA0824P1S61



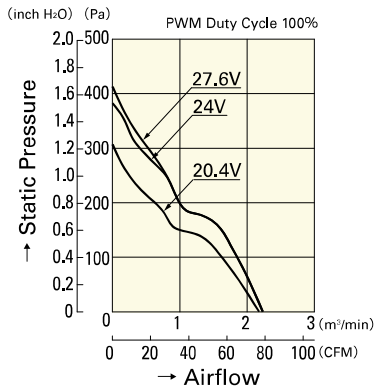
9GA0824P1H61



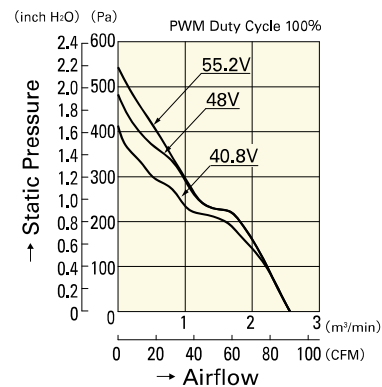
9GA0848P1S61



9GA0824P1S61



9GA0824P1H61



9GA0848P1S61