

**80** mm sq.

# San Ace 80



## General Specifications

- Material ..... Frame: Plastics (Flammability: UL94V-0),  
Impeller: Plastics (Flammability: UL94V-0)
- Expected Life ..... Refer to specifications (L10:Survival rate:90% at 60°C ,  
rated voltage, and continuously run in a free air state)
- Lead Wire ..... ⊕red ⊖black (Sensor) yellow (Control) brown
- Storage Temperature ..... -30°C to +70°C (Non-condensing)

**80×80×38**mm [Mass : 230g] **9HV type**

**Specifications** The following nos. **have PWM controls, pulse sensors, and ribs.** For ribless, append "1" to the model no.

Model No.	Rated Voltage [V]	Operating Voltage Range [V]	PWM duty cycle※ [%]	Rated Current [A]	Rated Input [W]	Rated Speed [min <sup>-1</sup> ]	Max. Airflow [m <sup>3</sup> /min] [CFM]	Max. Static Pressure [Pa] [inchH <sub>2</sub> O]	SPL [dB(A)]	Operating Temperature [°C]	Expected Life [h]
<b>9HV0812P1G001</b>	12	10.8 to 13.2	100 0	3.4 0.64	40.8 7.68	14,900 4,400	3.7 130.7 1.06 37.5	1,000 4.0 87.2 0.35	69 40	-20 to +70	40,000/60°C (70,000/40°C)
<b>9HV0824P1G003</b> <small>Note1,2)</small>	24	21.6 to 26.4	100	1.7	40.8	14,900	3.7 130.7	1,000 4.0	69		
<b>9HV0848P1G001</b>	48	36 to 57	100 0	0.85 0.13	40.8 6.24	14,900 4,400	3.7 130.7 1.06 37.5	1,000 4.0 87.2 0.35	69 40		

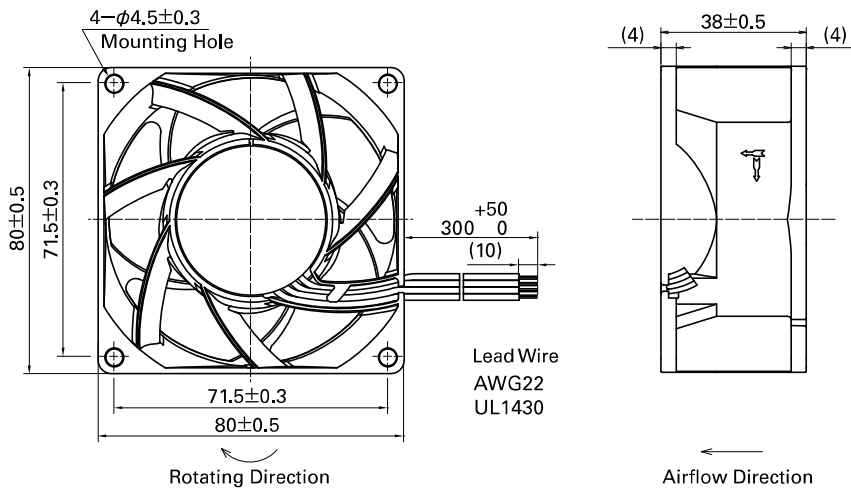
Note 1: Fan does not rotate when PWM duty cycle is 0%.

Note 2: Model no. for a ribless frame model is 9HV0824P1G0011.

※PWM Frequency : 25kHz

Other sensor specifications are available as options. Please refer to the index (p. 508).

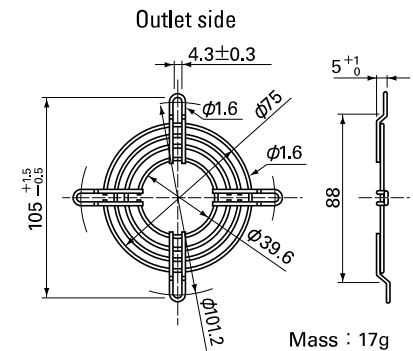
## Dimensions (unit: mm) (With ribs)



## Options (unit: mm)

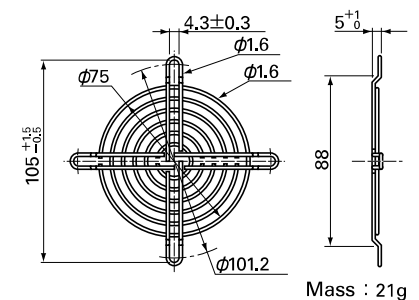
### Finger Guards

Model : 109-049C Surface treatment : Nickel-chrome plating (silver) Color

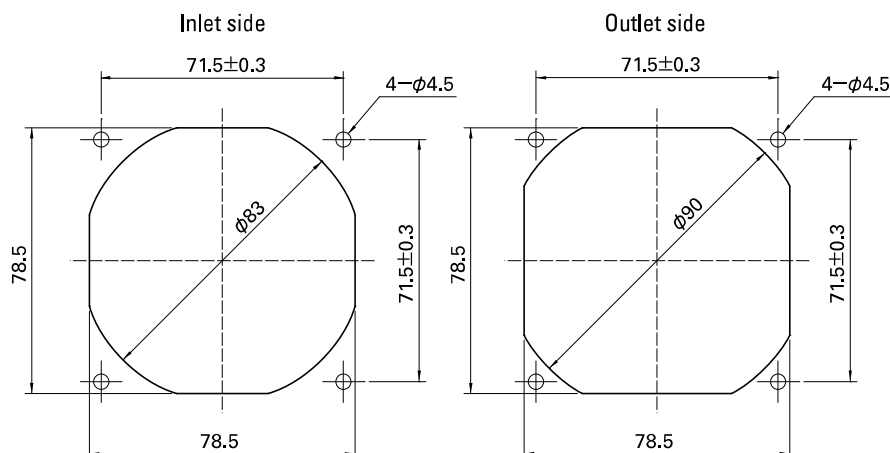


Model : 109-049E Surface treatment : Nickel-chrome plating (silver) Color  
: 109-049H : Cation electropainting (black)

### Inlet side, Outlet side



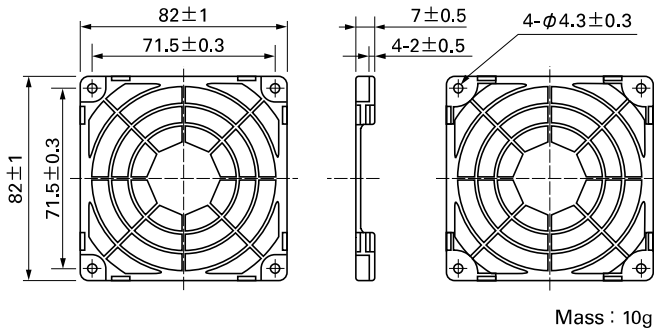
## Reference Dimensions of Mounting Holes and Vent Opening (unit: mm)



Options (unit: mm)

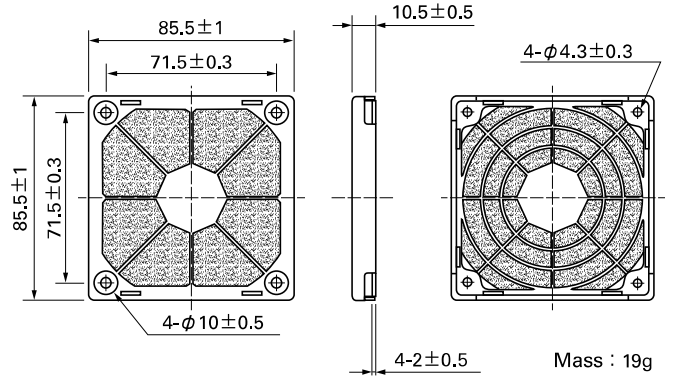
Resin Finger Guards

Model : 109-1002G



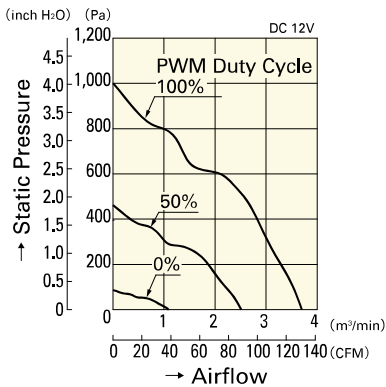
Resin Filter Kits

Model : 109-1002F13 (13PPI), 109-1002F20 (20PPI)  
: 109-1002F30 (30PPI), 109-1002F40 (40PPI)

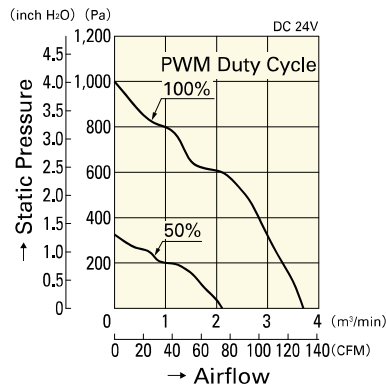


Airflow - Static Pressure Characteristics

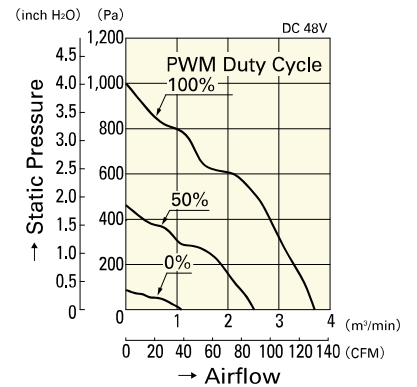
PWM Duty Cycle



9HV0812P1G001

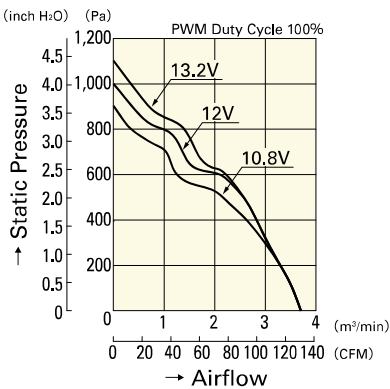


9HV0824P1G003

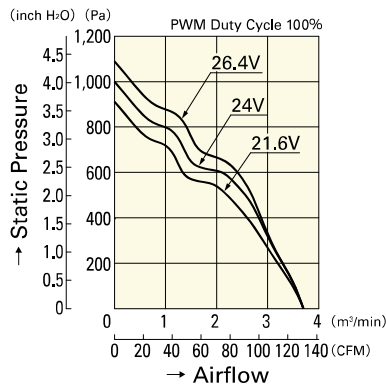


9HV0848P1G001

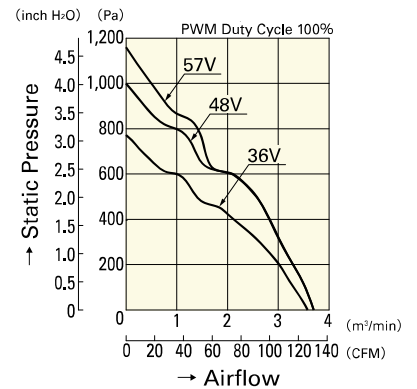
Operating Voltage Range



9HV0812P1G001

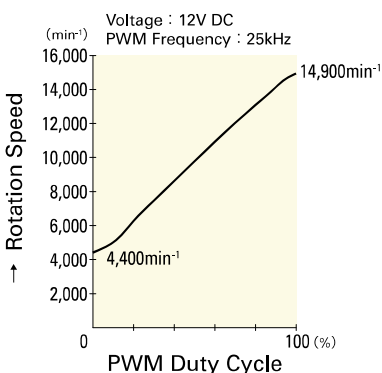


9HV0824P1G003

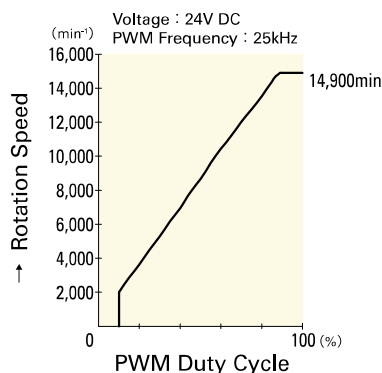


9HV0848P1G001

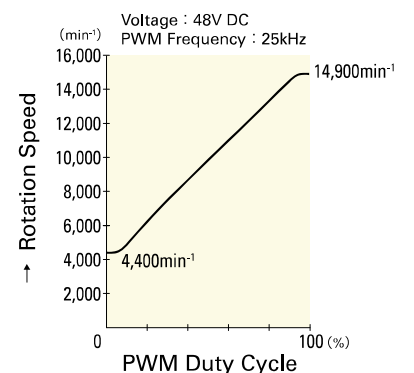
PWM Duty - Speed Characteristics Example



9HV0812P1G001



9HV0824P1G003



9HV0848P1G001