

92mm sq.

San Ace 92



General Specifications

- Material Frame: Plastics (Flammability: UL94V-0),
Impeller: Plastics (Flammability: UL94V-0)
- Expected Life Refer to specifications (L10:Survival rate:90% at 60°C ,
rated voltage, and continuously run in a free air state)
- Lead Wire ⊕red ⊖black (Sensor) yellow (Control) brown
- Storage Temperature -30°C to +70°C (Non-condensing)

92×92×25mm (Mass : 125g) **9GA** type **Low Power Consumption Fan**



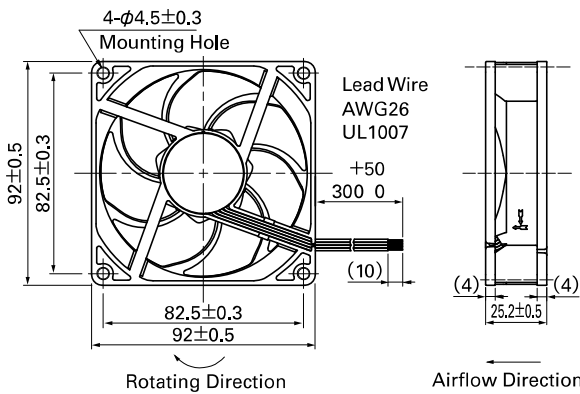
Specifications The following nos. **have PWM controls, pulse sensors, and ribs.** For ribless, append "1" to the model no.

Model No.	Rated Voltage [V]	Operating Voltage Range [V]	PWM duty cycle※ [%]	Rated Current [A]	Rated Input [W]	Rated Speed [min ⁻¹]	Max. Airflow [m ³ /min] [CFM]	Max. Static Pressure [Pa] [inchH ₂ O]	SPL [dB(A)]	Operating Temperature [°C]	Expected Life [h]
9GA0912P4J03	12	10.2 to 13.8	100	0.39	4.68	5,000	2.20 77.7	105 0.42	43	-20 to +70	60,000/60°C
			0	0.06	0.72	1,500	0.65 23.3	9.4 0.04	14		
9GA0912P4G03			100	0.28	3.36	4,400	1.93 68.2	81 0.33	39		
			0	0.06	0.72	1,500	0.65 23.3	9.4 0.04	14		
9GA0912P4S03			100	0.2	2.4	3,800	1.67 59.0	60.6 0.24	35		
			0	0.06	0.72	1,500	0.65 23.3	9.4 0.04	14		
9GA0924P4J03	24	20.4 to 27.6	100	0.2	4.80	5,000	2.20 77.7	105 0.42	43		
			0	0.04	0.96	1,500	0.65 23.3	9.4 0.04	14		
9GA0924P4G03			100	0.15	3.60	4,400	1.93 68.2	81 0.33	39		
			0	0.04	0.96	1,500	0.65 23.3	9.4 0.04	14		
9GA0924P4S03			100	0.12	2.88	3,800	1.67 59.0	60.6 0.24	35		
			0	0.04	0.96	1,500	0.65 23.3	9.4 0.04	14		

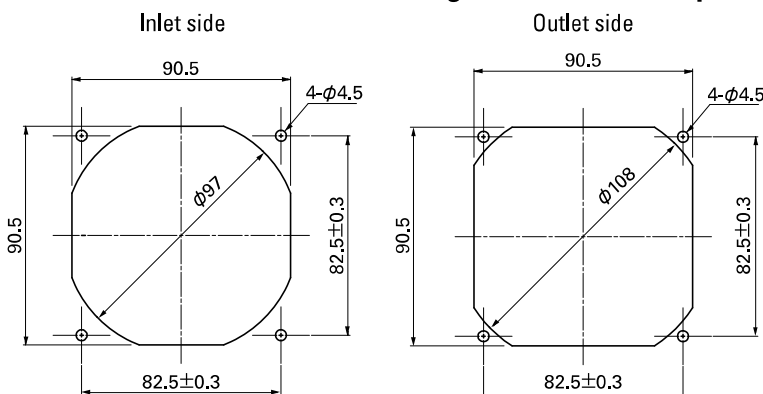
※PWM Frequency : 25kHz

Other sensor specifications are available as options. Please refer to the index (p. 506).

Dimensions (unit: mm) (With ribs)



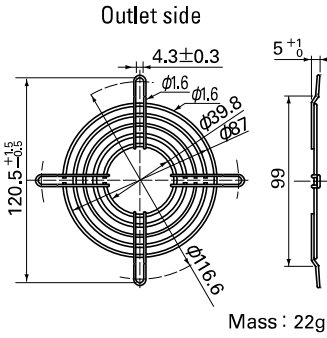
Reference Dimensions of Mounting Holes and Vent Opening (unit: mm)



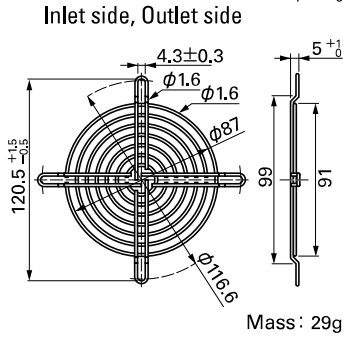
Options (unit: mm)

Finger Guards

Model : 109-099C Surface treatment : Nickel-chrome plating (silver) Color : silver

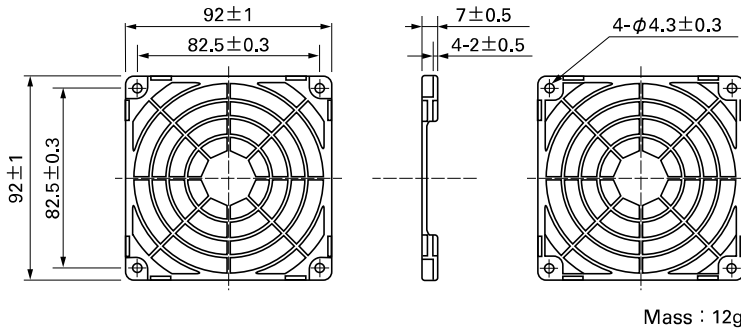


Model : 109-099E Surface treatment : Nickel-chrome plating (silver) Color : silver
 : 109-099H : Cation electropainting (black)



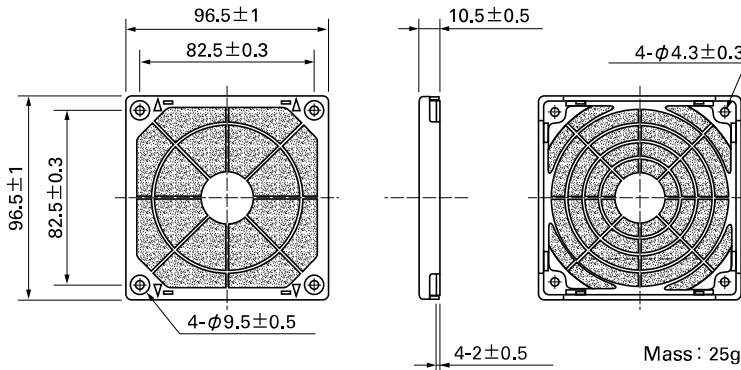
Resin Finger Guards

Model : 109-1001G



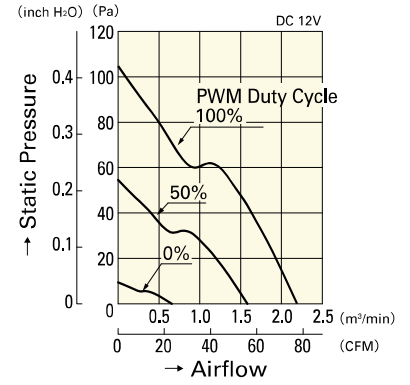
Resin Filter Kits

Model : 109-1001F13 (13PPI), 109-1001F20 (20PPI)
 : 109-1001F30 (30PPI), 109-1001F40 (40PPI)



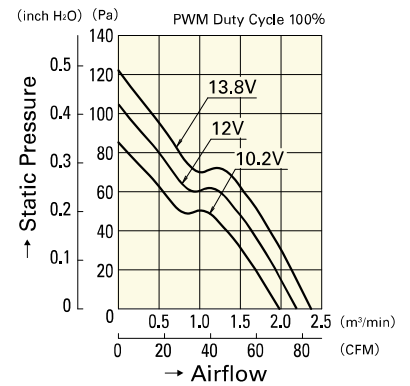
Airflow - Static Pressure Characteristics

PWM Duty Cycle



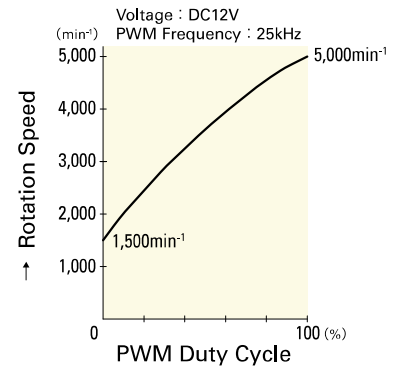
9GA0912P4J03

Operating Voltage Range



9GA0912P4J03

PWM Duty - Speed Characteristics Example



9GA0912P4J03

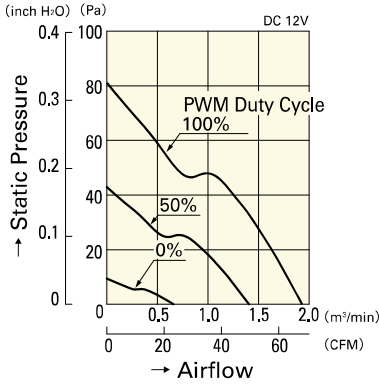
92mm sq.

San Ace 92

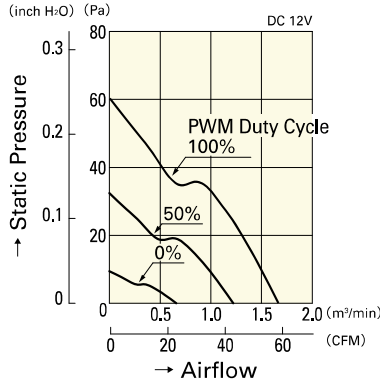
92×92×25mm [Mass : 125g]

Airflow - Static Pressure Characteristics

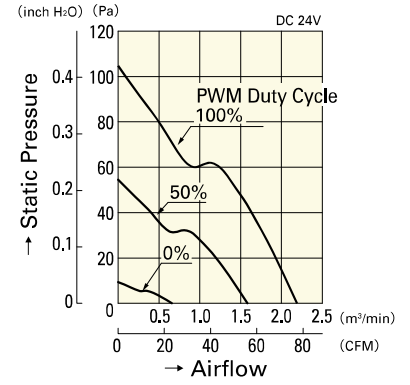
PWM Duty Cycle



9GA0912P4G03

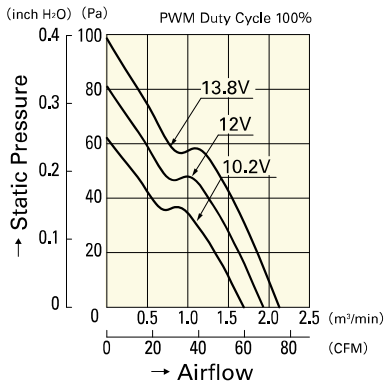


9GA0912P4S03

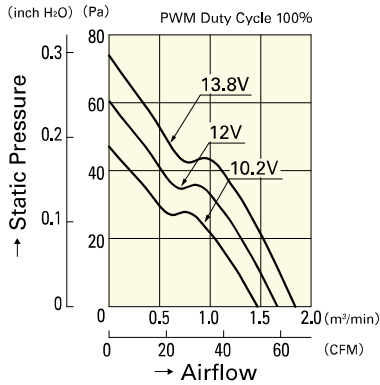


9GA0924P4J03

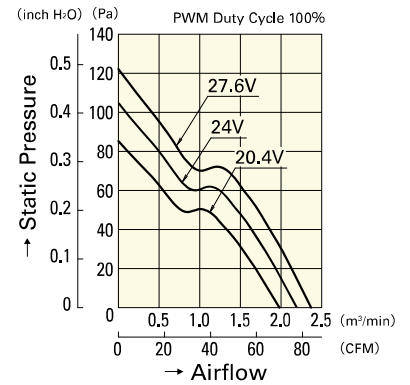
Operating Voltage Range



9GA0912P4G03

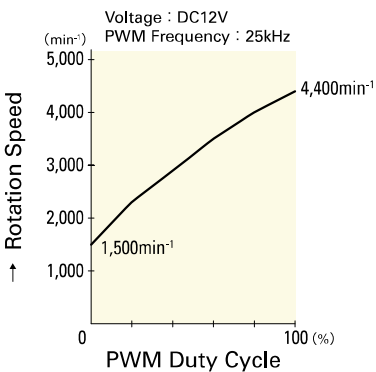


9GA0912P4S03

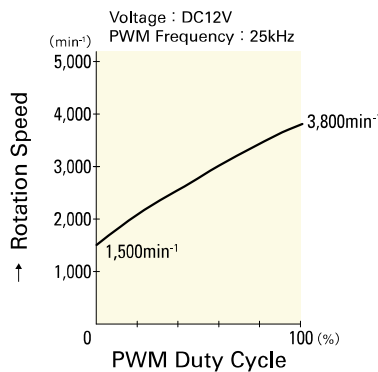


9GA0924P4J03

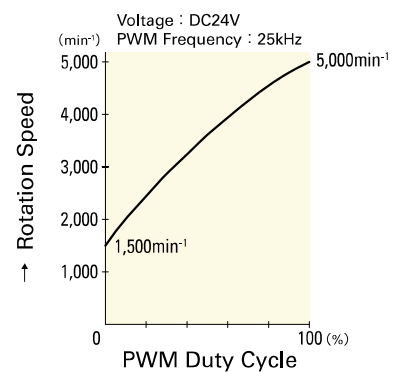
PWM Duty - Speed Characteristics Example



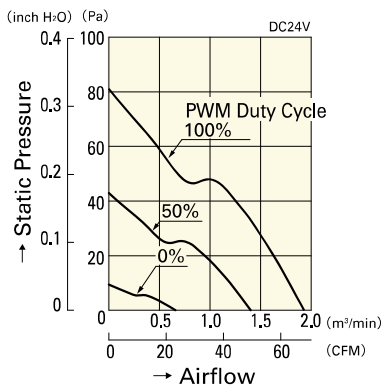
9GA0912P4G03



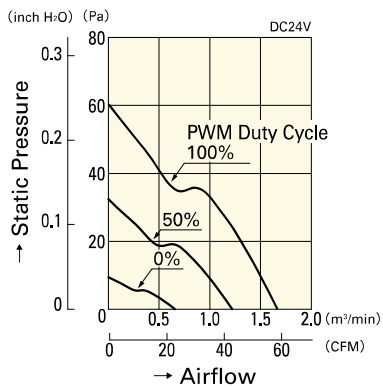
9GA0912P4S03



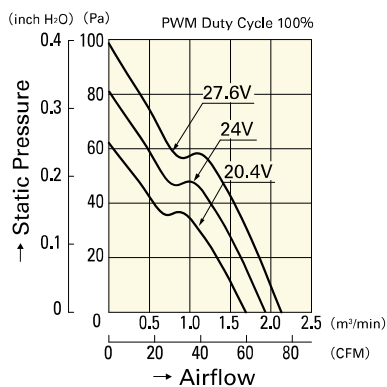
9GA0924P4J03



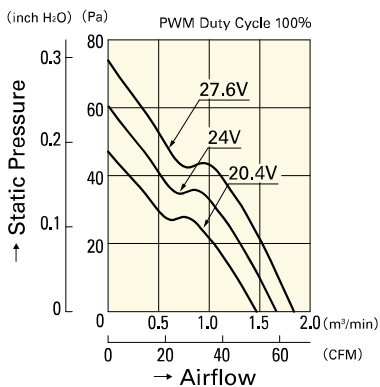
9GA0924P4G03



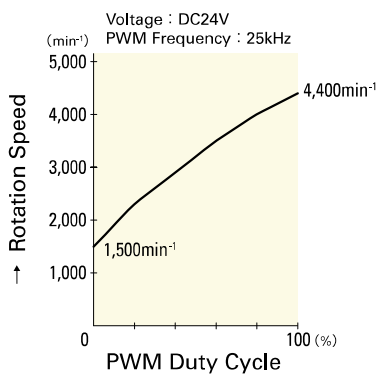
9GA0924P4S03



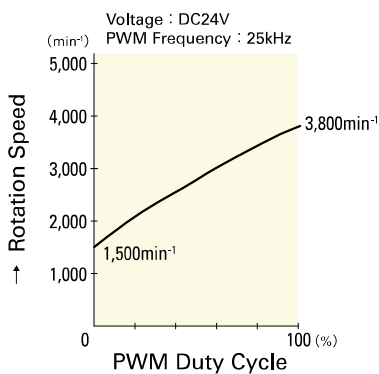
9GA0924P4G03



9GA0924P4S03



9GA0924P4G03



9GA0924P4S03