

**92**mm sq.

# San Ace 92



## General Specifications

- Material ..... Frame: Plastics (Flammability: UL94V-0),  
Impeller: Plastics (Flammability: UL94V-0)
- Expected Life ..... Refer to specifications (L10:Survival rate:90% at 60°C ,  
rated voltage, and continuously run in a free air state)
- Lead Wire ..... ⊕red ⊖black (Sensor) yellow
- Storage Temperature ..... -30°C to +70°C (Non-condensing)

**92×92×38mm** (Mass : 180g) **9G type**

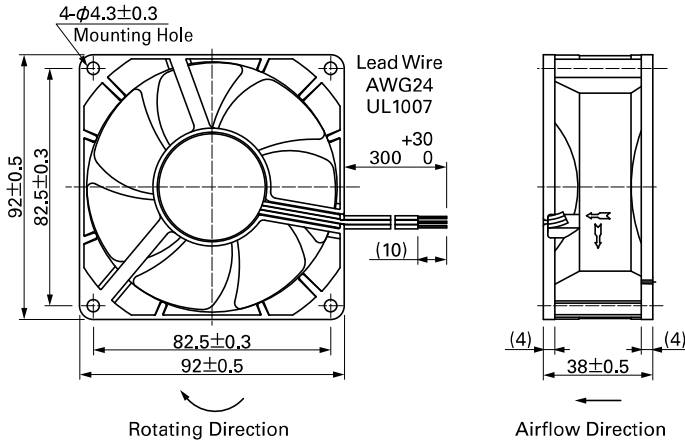
## Specifications

The following nos. **have pulse sensors and ribs**. For ribless, append "1" to the model no.

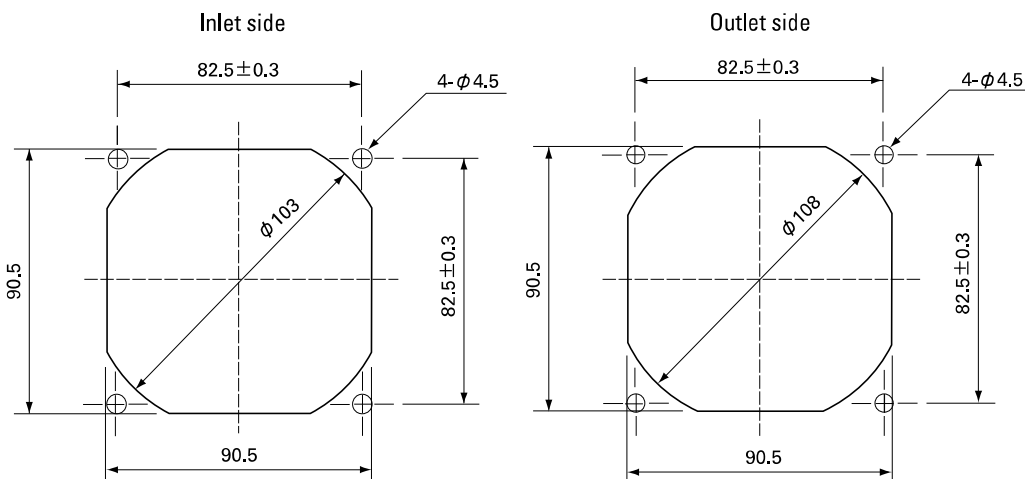
Model No.	Rated Voltage [V]	Operating Voltage Range [V]	Rated Current [A]	Rated Input [W]	Rated Speed [min <sup>-1</sup> ]	Max. Airflow [m <sup>3</sup> /min] [CFM]	Max. Static Pressure [Pa] [inchH <sub>2</sub> O]	SPL [dB(A)]	Operating Temperature [°C]	Expected Life [h]
<b>9G0912G101</b>	12	7.0 to 13.8	1.1	13.2	5,000	3.10 110	150 0.602	50	-20 to +60	40,000/60°C
<b>9G0912H101</b>			0.58	6.96	4,000	2.54 90	100 0.402	43		
<b>9G0924G101</b>	24	20.4 to 27.6	0.55	13.2	5,000	3.10 110	150 0.602	50	-20 to +60	
<b>9G0924H101</b>			0.3	7.2	4,000	2.54 90	100 0.402	43		
<b>9G0948J101</b>	48	40.8 to 55.2	0.32	15.36	5,500	3.41 120.49	178 0.715	55	-20 to +70	
<b>9G0948G101</b>			0.27	12.96	5,000	3.10 110	150 0.602	50	-20 to +60	
<b>9G0948H101</b>			0.16	7.68	4,000	2.54 90	100 0.402	43		

Other sensor specifications are available as options. Please refer to the index (pp. 502 to 503).

## Dimensions (unit: mm) (With ribs)



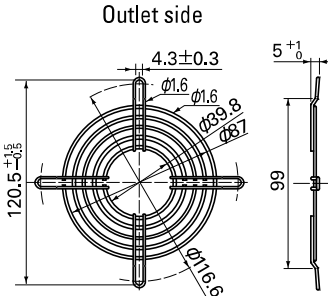
## Reference Dimensions of Mounting Holes and Vent Opening (unit: mm)



**Options (unit: mm)**

**Finger Guards**

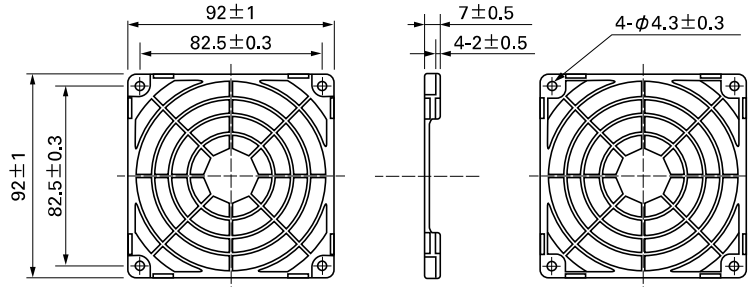
Model : 109-099C Surface treatment : Nickel-chrome plating (silver) Color : Nickel-chrome plating (silver)



Mass : 22g

**Resin Finger Guards**

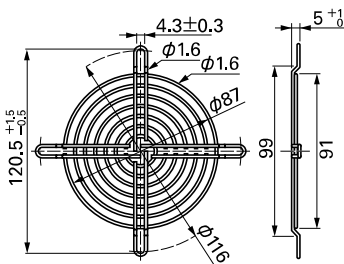
Model : 109-1001G



Mass : 12g

Model : 109-099E Surface treatment : Nickel-chrome plating (silver) Color : Nickel-chrome plating (silver)  
: 109-099H : Cation electropainting (black)

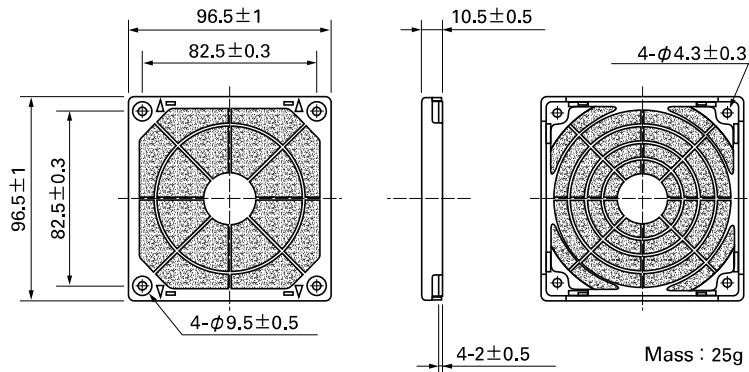
**Inlet side, Outlet side**



Mass : 29g

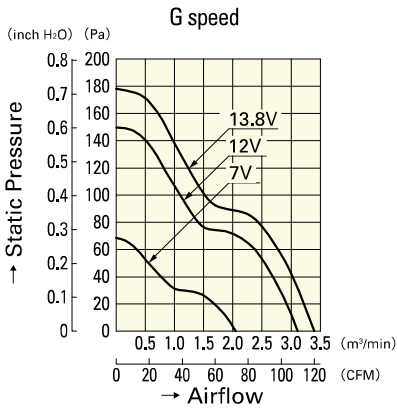
**Resin Filter Kits**

Model : 109-1001F13 (13PPI), 109-1001F20 (20PPI)  
: 109-1001F30 (30PPI), 109-1001F40 (40PPI)

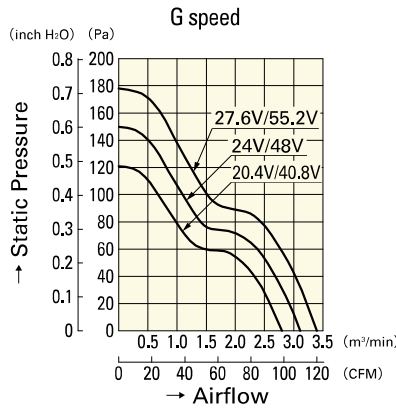


Mass : 25g

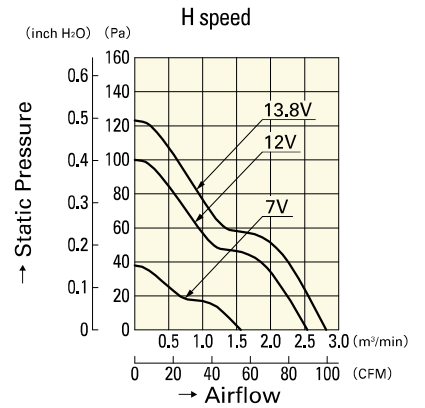
**Airflow - Static Pressure Characteristics**



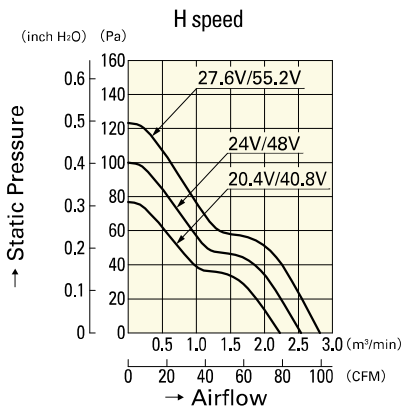
**9G0912G101**



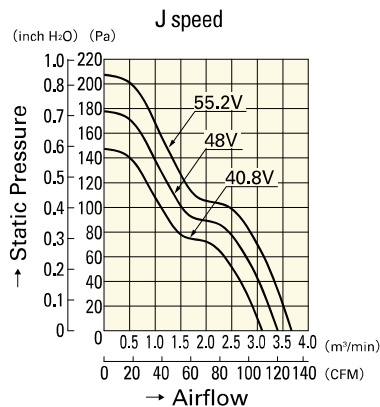
**9G0924G101**  
**9G0948G101**



**9G0912H101**



**9G0924H101**  
**9G0948H101**



**9G0948J101**