

**92**mm sq.

# San Ace 92



## General Specifications

- Material ..... Frame: Plastics (Flammability: UL94V-0),  
Impeller: Plastics (Flammability: UL94V-0)
- Expected Life ..... Refer to specifications (L10: Survival rate: 90% at 60°C ,  
rated voltage, and continuously run in a free air state)
- Lead Wire ..... ⊕red ⊖black (Sensor) yellow (Control) brown
- Storage Temperature ..... -30°C to +70°C (Non-condensing)

**92×92×38**mm (Mass : 240g) **9GA** type **Low Power Consumption Fan**



**Specifications** The following nos. **have PWM controls, pulse sensors, and ribs.** For ribless, append "1" to the model no.

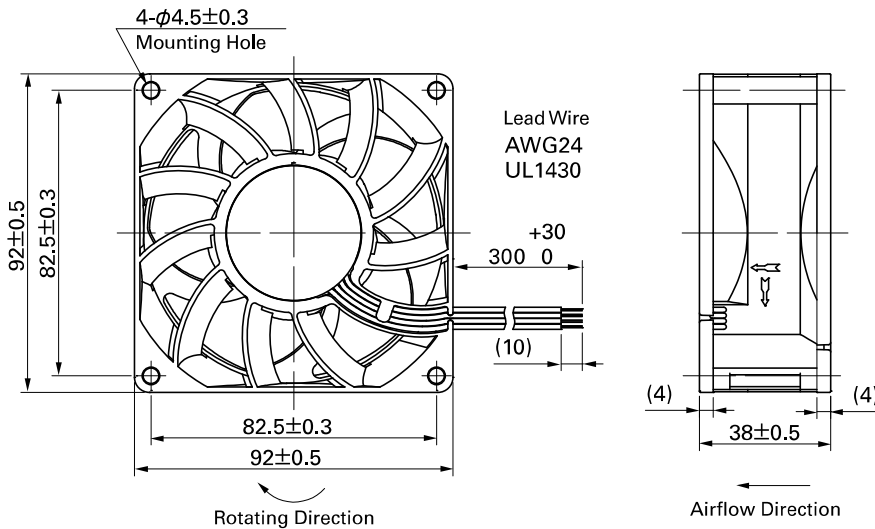
Model No.	Rated Voltage [V]	Operating Voltage Range [V]	PWM duty cycle* [%]	Rated Current [A]	Rated Input [W]	Rated Speed [min <sup>-1</sup> ]	Max. Airflow [m <sup>3</sup> /min] [CFM]	Max. Static Pressure [Pa] [inchH <sub>2</sub> O]	SPL [dB(A)]	Operating Temperature [°C]	Expected Life [h]
<b>9GA0912P1H03</b>	12	10.2 to 13.8	100	2.10	25.2	9,700	4.00 141	500 2.01	63	-20 to +70	40,000/60°C (70,000/40°C)
			0	0.16	1.92	2,500	0.97 34.3	33 0.13	29		
<b>9GA0924P1H01</b>	24	20.4 to 27.6	100	1.1	26.4	9,700	4.00 141	500 2.01	63	-10 to +70	
			0	0.07	1.68	2,500	0.97 34.3	33 0.13	29		
<b>9GA0948P1H03</b> (Note)	48	40.8 to 55.2	100	0.55	26.4	9,700	4.00 141	500 2.01	63	-20 to +70	

Note: Rated voltage 48V fans do not rotate when PWM duty cycle is 0%.

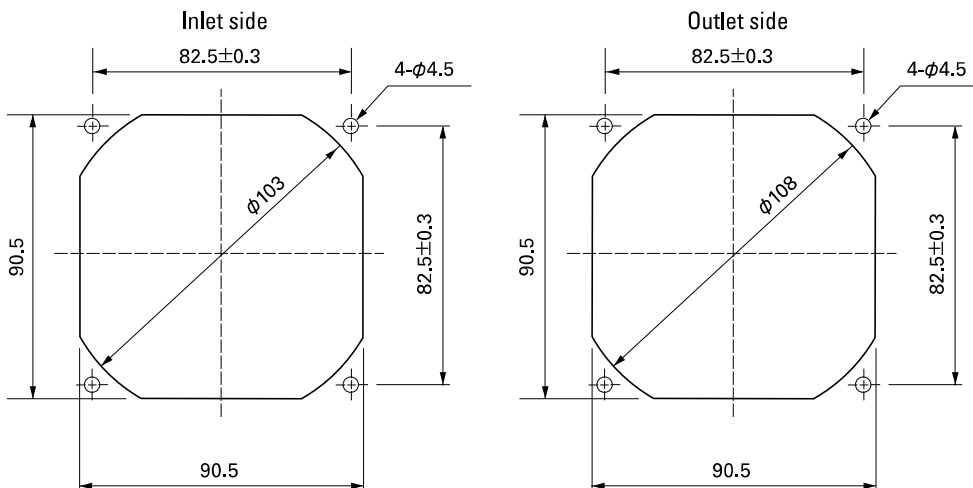
\*PWM Frequency : 25kHz

Other sensor specifications are available as options. Please refer to the index (p. 506).

## Dimensions (unit: mm) (With ribs)



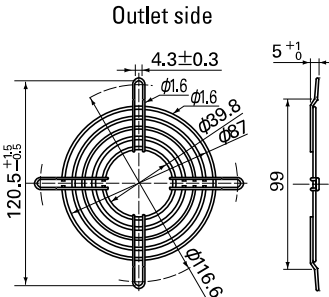
## Reference Dimensions of Mounting Holes and Vent Opening (unit: mm)



Options (unit: mm)

Finger Guards

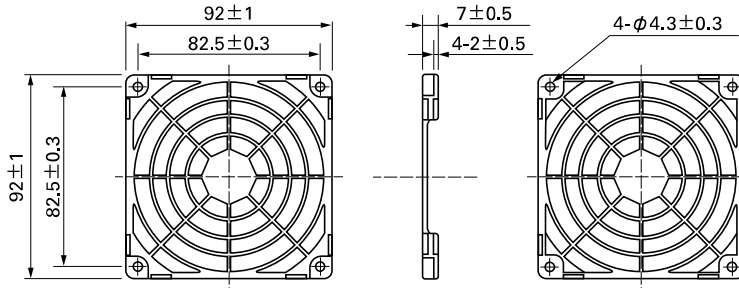
Model : 109-099C Color : Nickel-chrome plating (silver)



Mass : 22g

Resin Finger Guards

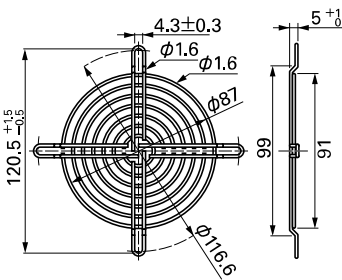
Model : 109-1001G



Mass : 12g

Model : 109-099E Surface treatment : Nickel-chrome plating (silver)  
: 109-099H : Cation electropainting (black)

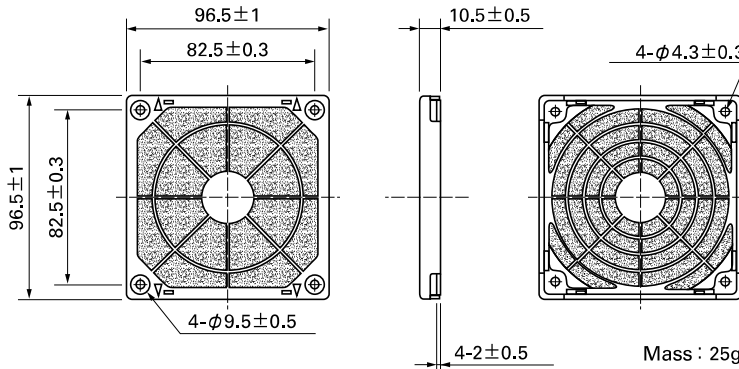
Inlet side, Outlet side



Mass : 29g

Resin Filter Kits

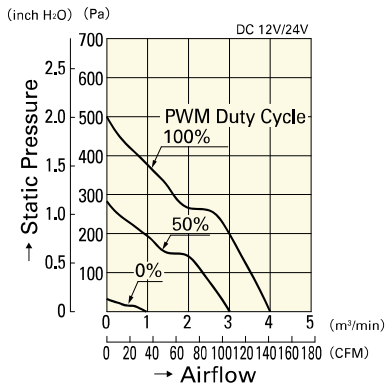
Model : 109-1001F13 (13PPI), 109-1001F20 (20PPI)  
: 109-1001F30 (30PPI), 109-1001F40 (40PPI)



Mass : 25g

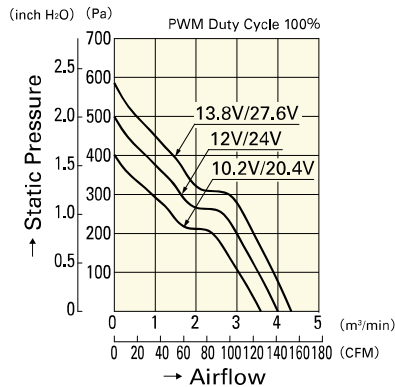
Airflow - Static Pressure Characteristics

PWM Duty Cycle



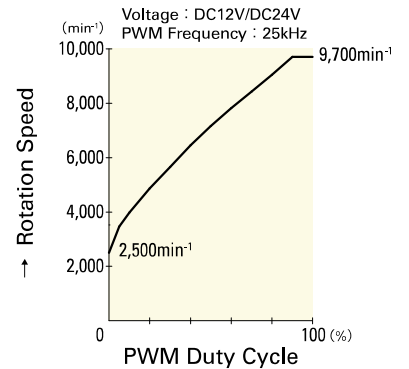
9GA0912P1H03  
9GA0924P1H01

Operating Voltage Range

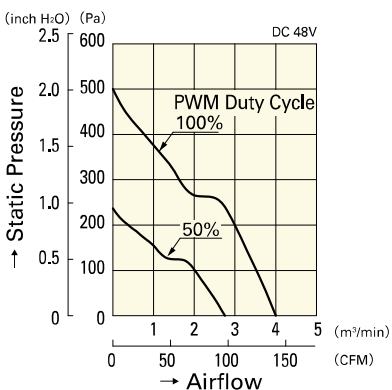


9GA0912P1H03  
9GA0924P1H01

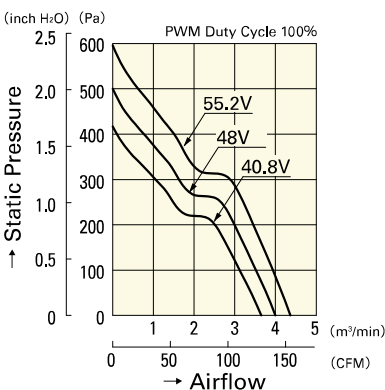
PWM Duty - Speed Characteristics Example



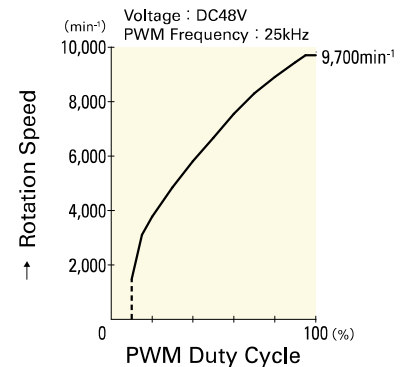
9GA0912P1H03  
9GA0924P1H01



9GA0948P1H03



9GA0948P1H03



9GA0948P1H03